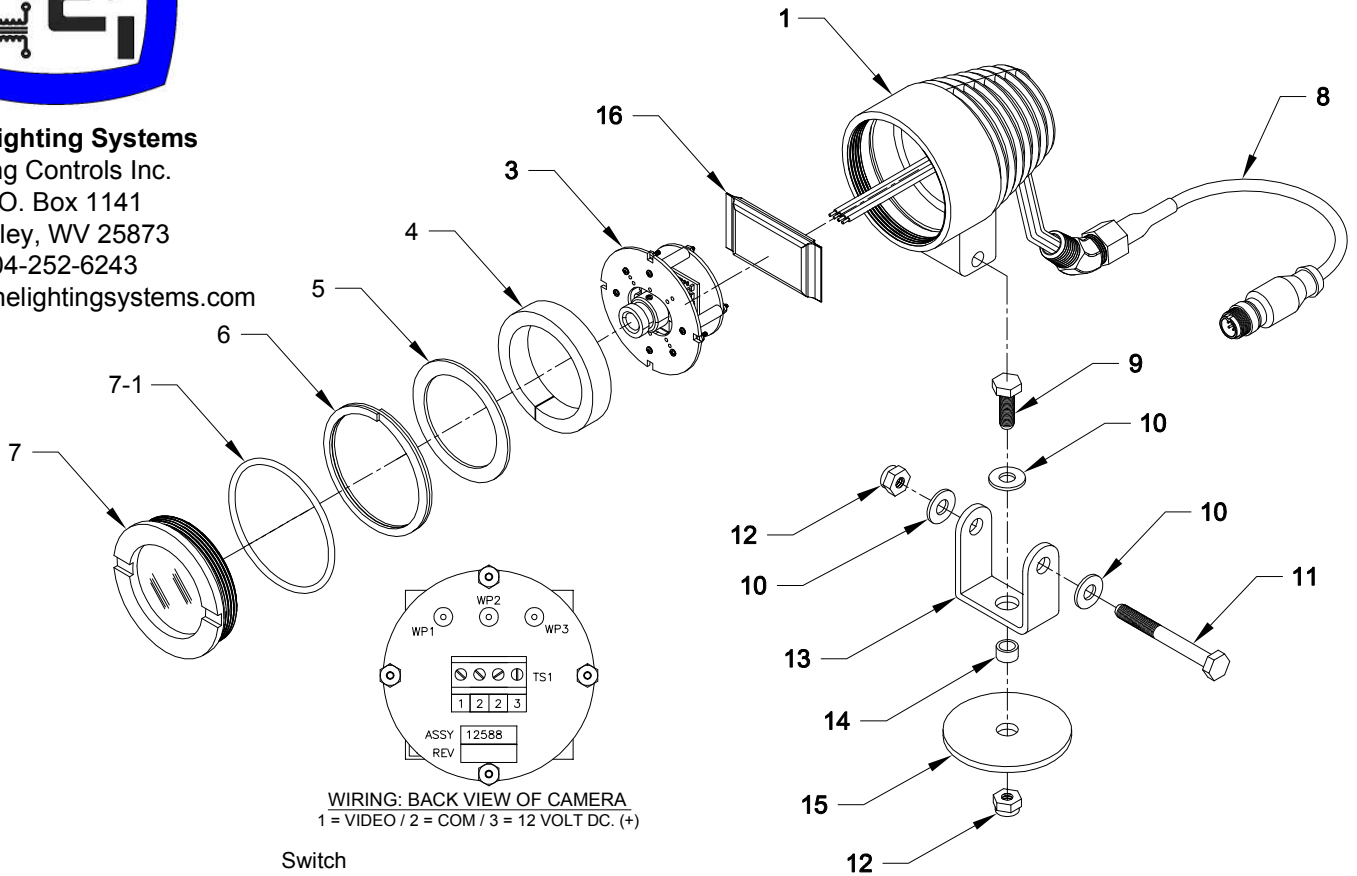
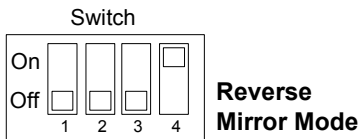


Mine Lighting Systems
 Mining Controls Inc.
 P.O. Box 1141
 Beckley, WV 25873
 304-252-6243
 Irowley@minelightingsystems.com



WIRING: BACK VIEW OF CAMERA
 1 = VIDEO / 2 = COM / 3 = 12 VOLT DC. (+)

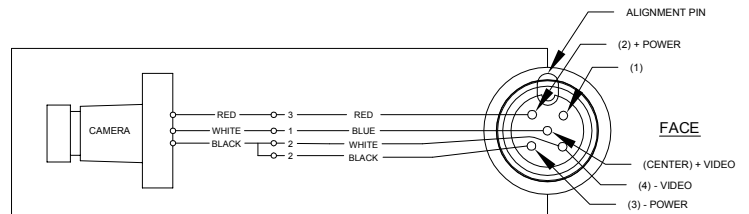
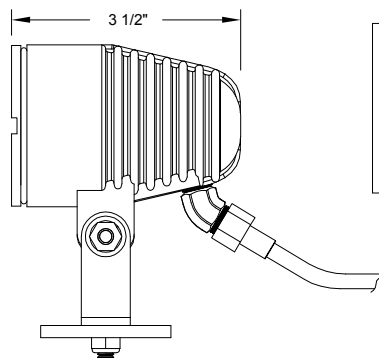
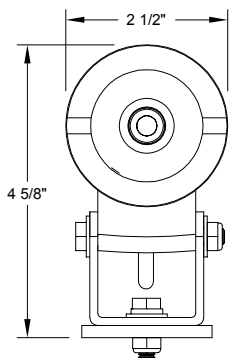


7030-34830-2

Model T50 Black & White Camera With Connector & Set For Reverse Viewing.

Item	Qty.	Part Number	Description
1	1	2010-33620-6	Alum. Housing
3	1	2023-35404-7	CAMERA ASSEMBLY BLACK & WHITE 400 TV LINES (0.1 LUX) 3.6 MM LENS SET FOR MIRROR VIEWING 12 VDC 110mA
4	1	3018-34279-1	Camera Cushion
5	1	1031-33578	Front-Back Ring
6	1	3015-33835	Snap Ring
7-1	1	2019-29731-1	O Ring
7	1	2010-34128	Clear Lens Assembly
8	1	7030-34828-012	12" Camera Pigtail Connector

Item	Qty.	Part Number	Description
9	1	1041-50003-3	Bolt 1/4" - 20 X 1" Hex Head
10	3	1041-50026	1/4" Flat Washer
11	1	1041-50003-18	Bolt 1/4" - 20 X 2 1/4" Hex
12	2	1041-50024-2	Nylon Lock Nut 1/4" - 20 Hex
13	1	2022-34018	"U" Mounting Bracket
14	1	2010-33323-1	Spacer Tube
15	1	3018-33620-3	Base Pad
16	1	1038-33991	Adsorbant Bag Replace As Needed



RESOLUTION = 400 TV LINES
 PICTURE = 542H x 492V
 SIGNAL TO NOISE = >48dB
 MIN. ILLUMINATION = 0.1 Lux
 IRIS CONTROL = AUTO (EE) or 1/60 fixed
 LENS = 3.6 mm f2.0
 POWER = 12V DC 120mA