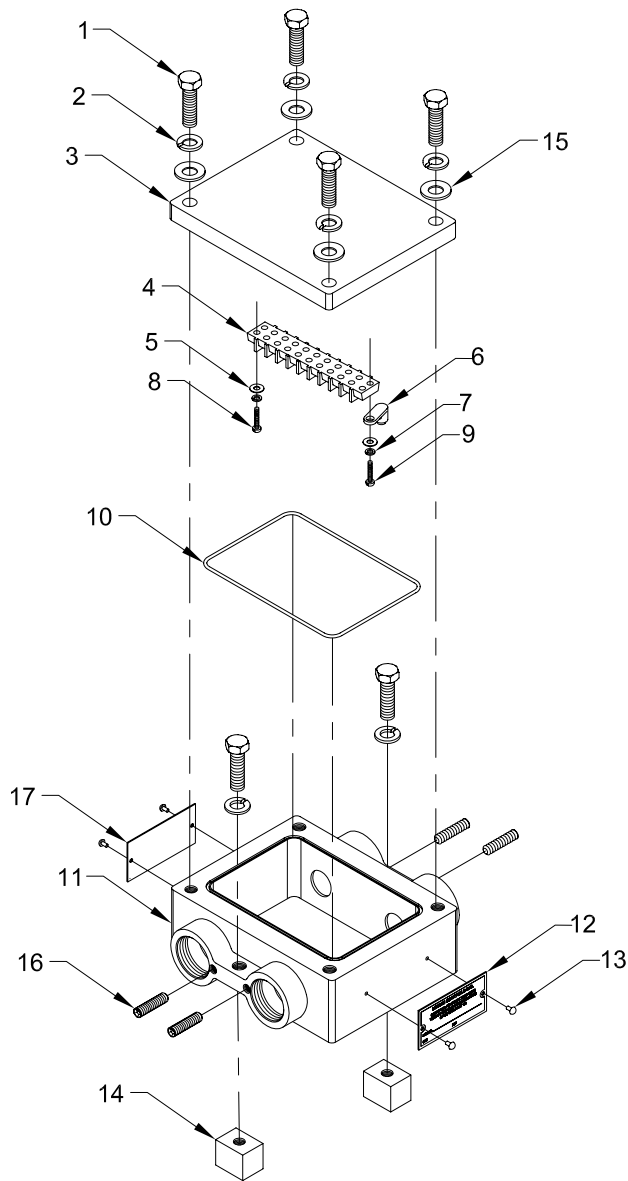




**Mine Lighting Systems
Mining Controls Inc.**
P.O. Box 1141
Beckley, WV 25873
304-252-6243

larry.rowley@elginindustries.com
www.minelinesystems.com



7015-35400-10

CONNECTION BOX WITH OPENING FOR EACH 1 1/8-12 PACKING GLANDS

Item	Qty.	Part Number	Description
1	6	1041-50006-4	3/8"-16 x 1 1/4" Hex Bolt
2	6	1041-50008	3/8" Lock Washer
3	1	2010-29950-1	Alum. Cover
4	1	1036-31476-2	9 PT. Terminal Block
5	2	1041-50284	M 3.5 Flat Washer
6	1	1035-20281-3	Ground Lug
7	2	1041-50042	#6 Lock Washer
8	1	1041-50038-15	#6-32 x 5/8 Round Head Screw
9	1	1041-50038-1	#6 -32 x 1/2 Round Head Screw
10	1	1033-35436	O-Ring
11	1	2010-35403	Housing With Weld Mounting Pad
12	1	1044-20011	XP Certification Tag
13	4	1041-50005	Drive Screw
14	2	2022-35418	Weld Pad
15	4	1041-50007	3/8" Flat Washer
16	4	1041-50009-3	1/4-20 x 1 Set Screw
17	1	1044-20038	P.A. Tag

