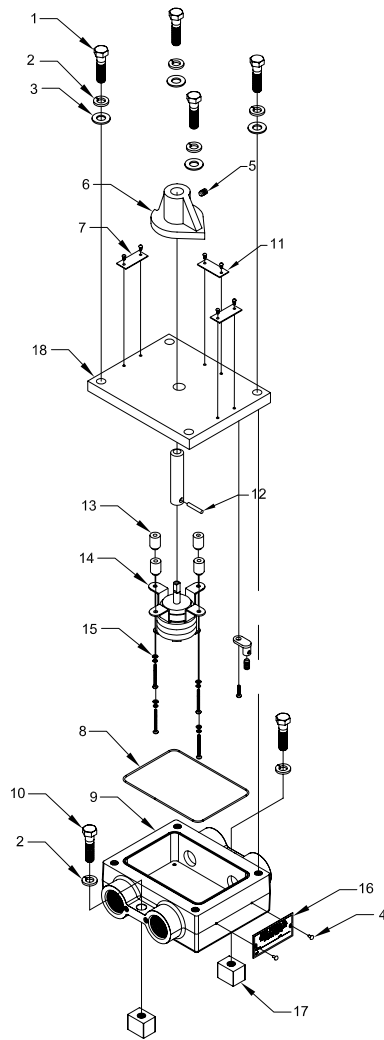




Mine Lighting Systems
Mining Controls Inc.
P.O. Box 1141
Beckley, WV 25873
304-252-6243

larry.rowley@elginindustries.com
www.mielinesystems.com



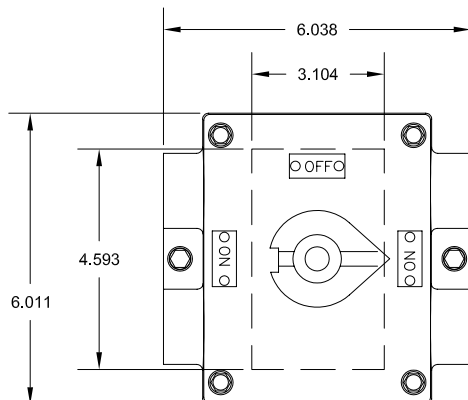
7015-35400-20

ON, OFF, ON SWITCH BOX

Item	Qty.	Part Number	Description
1	4	1041-50006-19	3/8 - 16 X 1 3/8 HEX BOLT
2	6	1041-50008	3/8" LOCK WASHER
3	4	1041-50007	3/8" FLAT WASHER
4	4	1041-50005	DRIVE SCREW 4 X 3/16"
5	1	1041-50020-1	Set Screw 1/4" -20 x 1"
6	1	2010-20448	Alum Switch Knob
7	2	1044-20110-2	Tag On
8	1	2019-29731-3	O-RING
9	1	2023-35403-10	HOUSING WITH WELD MOUNTING PAD

Item	Qty.	Part Number	Description
10	2	1041-50006-4	3/8 - 16 X 1 1/4 HEX BOLT
11	1	1041-50005	Tag Off
12	1	1041-55004	1/8" x 3/4" Roll Pin
13	1	2010-33695	Standof 1/4" RD. With Swage
14	1	1022-20446	3 Pos. Switch
15	1	1041-50041	#6 Flat Washer
16	1	1044-20011	CERTIFICATION TAG
17	2	2022-35418	WELD PAD
18	1	2010-29950-3	Top Plate

TOP SIDE



RIGHT SIDE

