



Mine Lighting Systems
Mining Controls Inc.

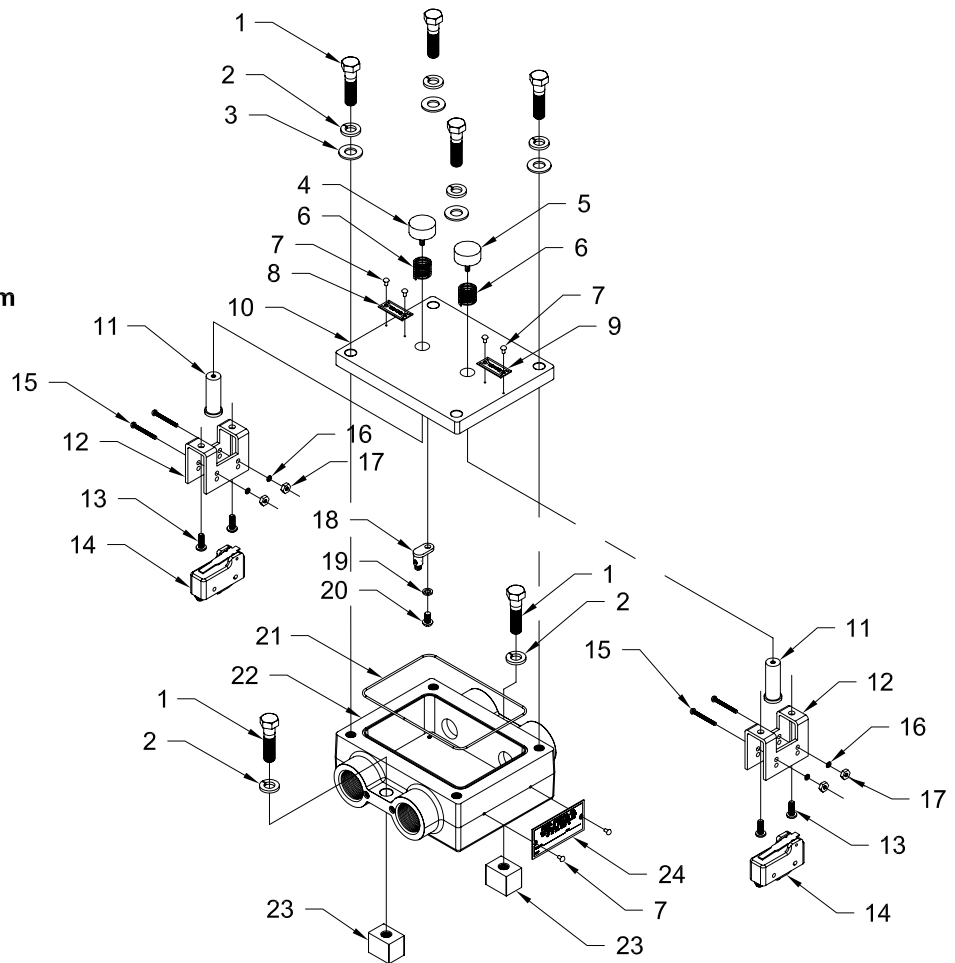
P.O. Box 1141

Beckley, WV 25873

304-252-6243

larry.rowley@elginindustries.com

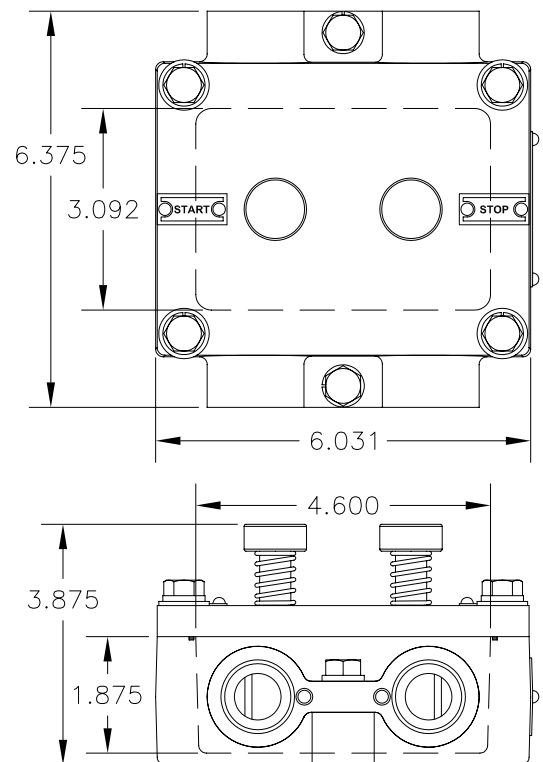
www.minelinesystems.com



7015-35400-30

START \ STOP SWITCH BOX WITH OPENING FOR 4 EACH 1 1/8-12 PACKING GLANDS

Item	Qty.	Part Number	Description
1	6	1041-50006-4	3/8 - 16 X 1 1/4 HEX BOLT
2	6	1041-50008	3/8" LOCK WASHER
3	4	1041-50007	3/8" FLAT WASHER
4	1	1022-20112-1	BLACK PB HEAD
5	1	1022-20112	RED PB HEAD
6	2	3016-21116	SPRING
7	6	1041-50005	DRIVE SCREW 4 X 3/16"
8	1	1044-20110	TAG START
9	1	1044-20110-1	TAG STOP
10	1	2010-29950-6	COVER MACHINE FOR TWO SWITCHES
11	2	5015-20113	SHAFT FOR (E-STOP & START-STOP)
12	2	2022-33386-6	SWITCH MOUNTING BRACKET
13	4	1041-50232	# 10-24 X 3/8" FLAT HEAD SCREW
14	2	1022-33376	MICRO SWITCH
15	4	1041-50038-19	# 6-32 1-1/8" ROUND HEAD SCREW
16	4	1041-50042	# 6 LOCK WASHER
17	4	1041-50039	# 6-32 HEX NUT
18	1	1035-20281-3	GROUND LUG
19	1	1041-50041	# 6 FLAT WASHER
20	1	1041-50038-14	# 6-32 X 3/8" ROUND HEAD SCREW
21	1	1033-35436	O-RING
22	1	2010-35403	HOUSING WITH 4 PACKING GLAND OPENING
23	2	2022-35418	WELD PAD
24	1	1044-20011	CERTIFICATION TAG



Mining Controls Inc. 304-252-6243 www.minelightsystems.com