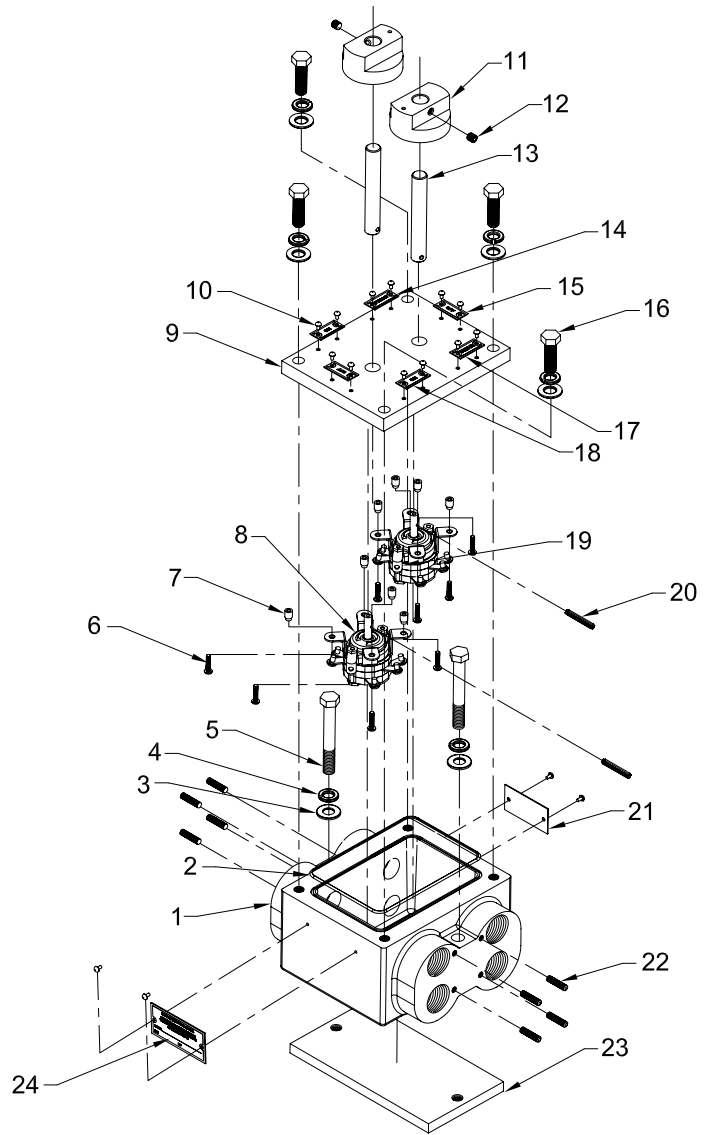




Mine Lighting Systems
Mining Controls Inc.
P.O. Box 1141
Beckley, WV 25873
304-252-6243

Larry.Rowley@elginindustries.com
www.minelinesystems.com



7015-35400-70

CONNECTION ENCLOSURE ASSEMBLY

| Item | Qty. | Part Number | Description |
|------|------|---------------|---|
| 1 | 1 | 2010-35403-4 | HOUSING MACHINED ALUMINUM |
| 2 | 1 | 1033-35436-1 | O-RING |
| 3 | 6 | 1041-50007 | 3/8" FLAT WASHER |
| 4 | 6 | 1041-50008 | 3/8" LOCK WASHER |
| 5 | 2 | 1041-50006-9 | BOLT 3/8-16 X 3 HEX |
| 6 | 8 | 1041-50272 | 6/32X 5/8" PAN HEAD SCREW STAINLESS STEEL |
| 7 | 8 | 2010-33695 | STANDOFF 1/4" RD. HEAD W/ SWAGE 1/4" LONG |
| 8 | 2 | 1022-20446 | SWITCH 3 POS. ELECTRO 101702A-3 |
| 9 | 1 | 2010-29950-6 | COVER MACH. FOR TWO SWITCHES 3POS.ELE. |
| 10 | 16 | 1041-50005 | DRIVE SCREW 4 X 3/16" |
| 11 | 2 | 2010-32871 | SWITCH KNOB SPECIAL FOR 2 SWITCH BOX |
| 12 | 2 | 1041-50020 | SET SCREW 1/4"-20 X 1/4" |
| 13 | 2 | 5015-20229-12 | SHAFT FOR STANDARD SWITCH BOX |
| 14 | 1 | 1044-20110-15 | FRONT TAG |
| 15 | 2 | 1044-20110-3 | OFF TAG |
| 16 | 2 | 1041-50006-4 | BOLT 3/8-16 X 1 1/4 HEX |
| 17 | 1 | 1044-20110-16 | REAR TAG |
| 18 | 2 | 1044-20110-2 | ON TAG |
| 19 | 2 | 1035-20281-3 | GROUND LUG |
| 20 | 2 | 1041-55004 | 1/8 X 3/4 ROLL PINS |
| 21 | 1 | 1044-20038 | PA TAG |
| 22 | 8 | 1041-50009-3 | STAINLESS SET SCREW 1/4" -20 X 1" |
| 23 | 1 | 2022-35418-1 | PLATE FOR CONNECTION BOX MODEL 35400 |
| 24 | 1 | 1044-20011 | CERTIFICATION TAG |

