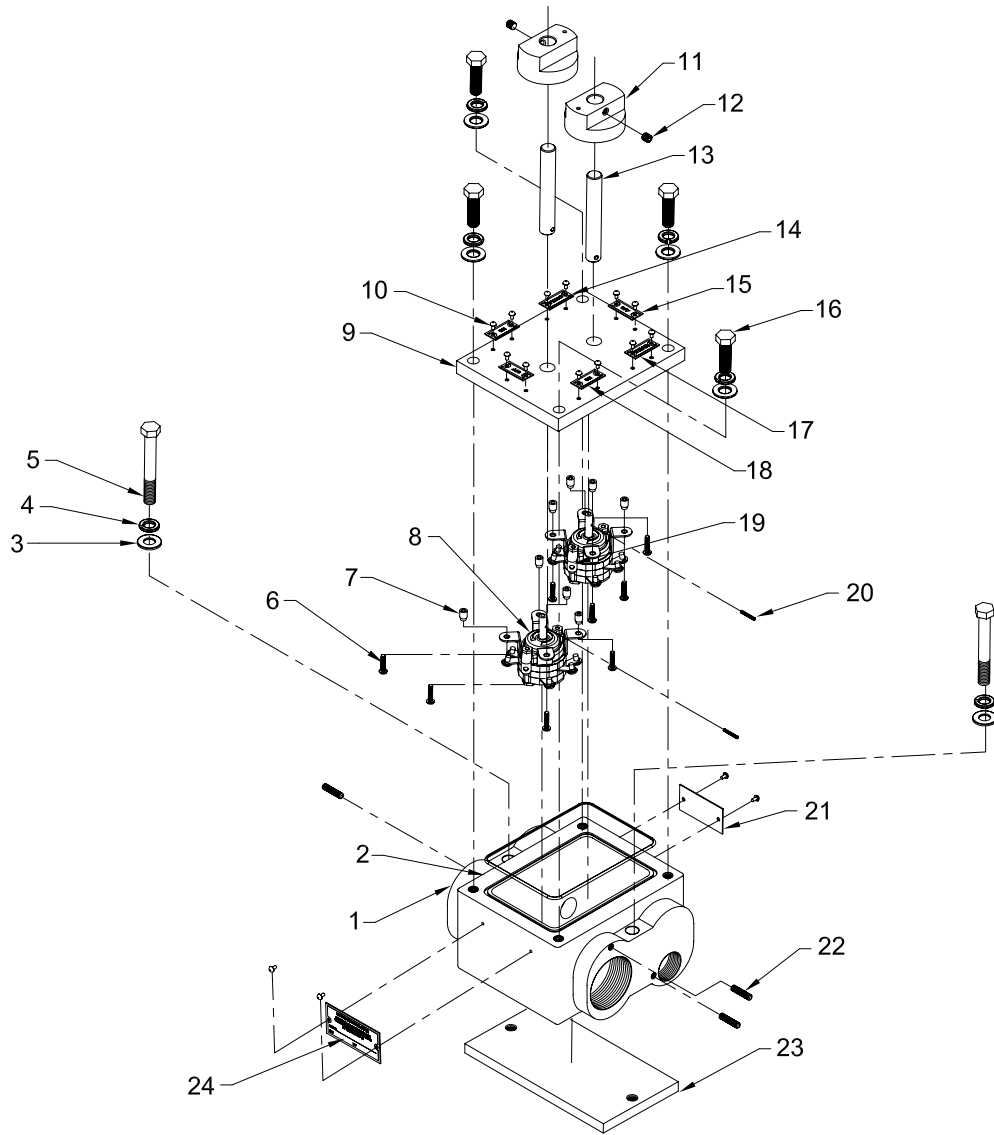




Mine Lighting Systems  
Mining Controls Inc.  
P.O. Box 1141  
Beckley, WV 25873  
304-252-6243

Larry.Rowley@elginindustries.com  
www.minelinesystems.com



7015-35400-73

### CONNECTION ENCLOSURE ASSEMBLY

Item	Qty.	Part Number	Description
1	1	2010-35403-7	HOUSING MACHINED ALUMINUM
2	1	1033-35436-1	O-RING
3	6	1041-50007	3/8" FLAT WASHER
4	6	1041-50008	3/8" LOCK WASHER
5	2	1041-50006-9	BOLT 3/8-16 X 3 HEX
6	8	1041-50272	6/32X 5/8" PAN HEAD SCREW STAINLESS STEEL
7	8	2010-33695	STANDOFF 1/4" RD. HEAD W/ SWAGE 1/4" LONG
8	2	1022-20446	SWITCH 3 POS. ELECTRO 101702A-3
9	1	2010-29950-6	COVER MACH. FOR TWO SWITCHES 3POS.ELE.
10	16	1041-50005	DRIVE SCREW 4 X 3/16"
11	2	2010-32871	SWITCH KNOB SPECIAL FOR 2 SWITCH BOX
12	2	1041-50020	SET SCREW 1/4"-20 X 1/4"
13	2	5015-20229-12	SHAFT FOR STANDARD SWITCH BOX
14	1	1044-20110-15	FRONT TAG
15	2	1044-20110-3	OFF TAG
16	2	1041-50006-4	BOLT 3/8-16 X 1 1/4 HEX
17	1	1044-20110-16	REAR TAG
18	2	1044-20110-2	ON TAG
19	2	1035-20281-3	GROUND LUG
20	2	1041-55047	3/32 X 7/16 ROLL PINS
21	1	1044-20038	PA TAG
22	3	1041-50009-3	STAINLESS SET SCREW 1/4" -20 X 1"
23	1	2022-35418-1	PLATE FOR CONNECTION BOX MODEL 35400
24	1	1044-20011	CERTIFICATION TAG

