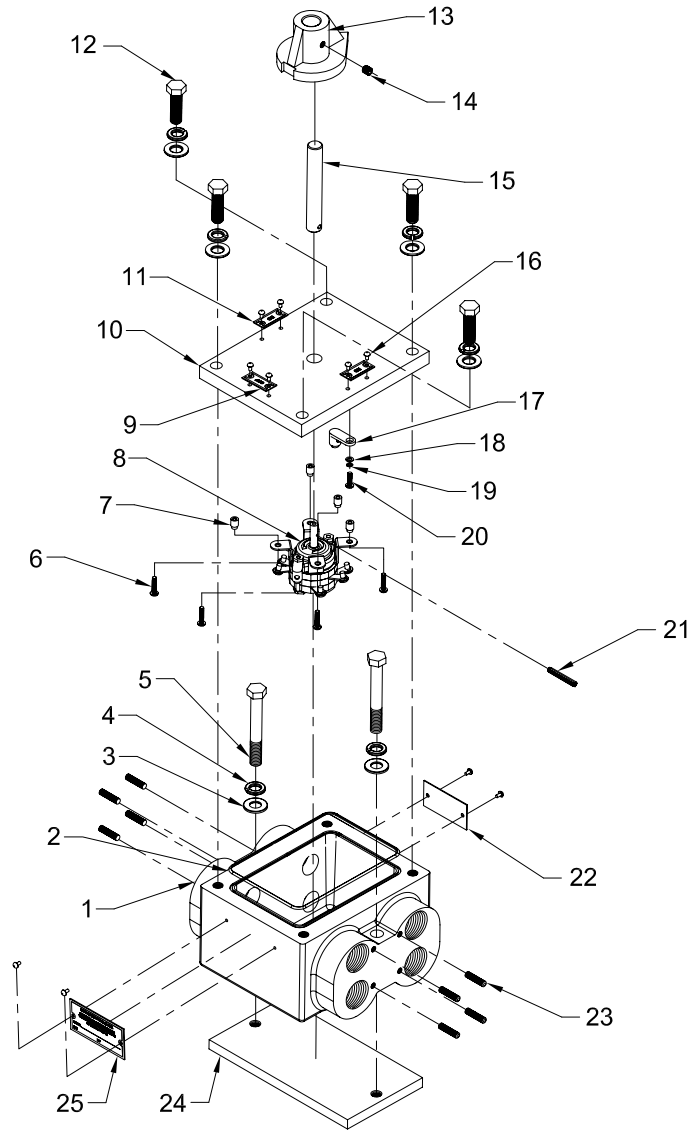




Mine Lighting Systems
Mining Controls Inc.
 P.O. Box 1141
 Beckley, WV 25873
 304-252-6243

Larry.Rowley@elginindustries.com
 www.minelinesystems.com



7015-35400-74

CONNECTION ENCLOSURE ASSEMBLY

Item	Qty.	Part Number	Description
1	1	2010-35403-4	HOUSING MACHINED ALUMINUM
2	1	1033-35436	O-RING
3	6	1041-50007	3/8" FLAT WASHER
4	6	1041-50008	3/8" LOCK WASHER
5	2	1041-50006-9	BOLT 3/8-16 X 3 HEX
6	4	1041-50272	6/32 X 5/8" PAN HEAD
7	4	2010-33695	STANDOFF 1/4" RD. HEAD W/ SWAGE 1/4" LONG
8	1	1022-20446	SWITCH 3 POS. ELECTRO 101702A-3
9	1	1044-20110-3	OFF TAG
10	1	2010-29950-3	COVER MACH. FOR SWITCH ON-OFF-ON
11	2	1044-20110-2	ON TAG
12	4	1041-50006-4	BOLT 3/8-16 X 1 1/4 HEX
13	1	2010-20448	SWITCH KNOB (ALUM)
14	1	1041-50020	SET SCREW 1/4"-20 X 1/4"
15	1	5015-20229-12	SHAFT FOR STANDARD SWITCH BOXES & SRB
16	10	1041-50005	DRIVE PIN 4 X 3/16"
17	1	1035-20281-3	GROUND LUG
18	1	1041-50041	FLAT WASHER #6
19	1	1041-50042	LOCK WASHER #6
20	1	1041-55047	6/32 X 3/8 RD HD
21	1	1041-55047	ROLL PIN 3/32 X 7/16
22	1	1044-20038	PA TAG
23	8	1041-50009-3	STAINLESS SET SCREW 1/4-20 X 1"
24	1	2022-35418-1	PLATE FOR CONNECTION BOX MODEL 35400
25	1	1044-20011	CERTIFICATION TAG

