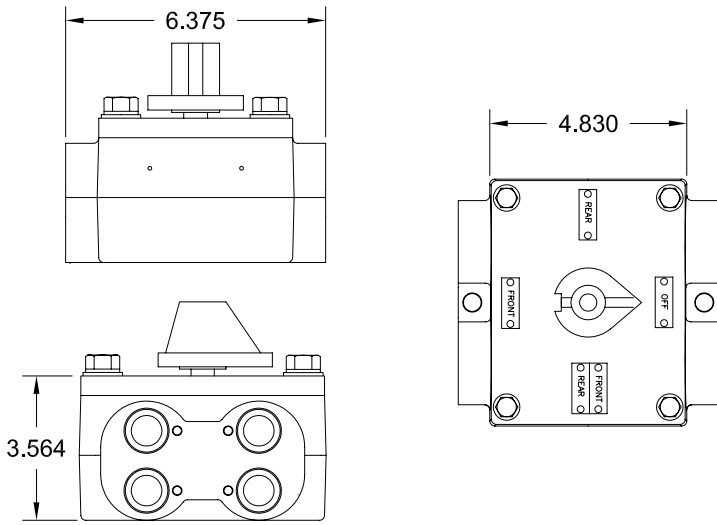




Mine Lighting Systems
 Mining Controls Inc.
 P.O. Box 1141
 Beckley, WV 25873
 304-252-6243
 larry.rowley@elginindustries.com
 www.minelinesystems.com

7015-35400-77

Switch Box With Opening For 8 EA.
 1 1/8" - 12 Packing Glands
 On-Off-Front-Rear



7015-35400-77

Switch Box With Opening For 8 EA.
 1 1/8" - 12 Packing Glands
 On-Off-Front-Rear

Item	Qty.	Part Number	Description
1	1	1041-50020-1	Set Screw 1/4"-20 x 1/4"
2	1	2010-20448	Alum. Switch Knob
3	4	1041-50006-4	3/8"-16 x 1 1/4" Hex Bolt
4	6	1041-50008	3/8" Lock Washer
5	6	1041-50007	3/8" Flat Washer
6	1	1044-20110-3	Tag Off
7	2	1044-20110-15	Tag Front
8	2	1044-20110-16	Tag Rear
9	1	2010-29950-3	Cover for On-Off-On Switch
10	1	5015-20229-12	Standard Switch Box Shaft
11	1	1041-55047	16-3/33x7/16
12	4	2010-33695	1/4" RD. Standoff With Swage
13	1	1022-31570-1	Switch
14	1	1041-50041	#6 Flat Washer
15	1	1041-50042	#6 Lock Washer
16	1	1041-50272	6-32 x 5/8" Screw
17	8	1040-50009-3	Set Screw 1/4-20 x 1"
18	1	1010-35403-4	Alum. Housing
19	1	1044-20011	Certification Tag
20	14	1041-50005	Drive Screw
21	1	2022-35418-1	Weld Plate
22	1	1044-20038	PA Tag
23	2	1041-50006-9	3/8" x 3" Hex Bolt

