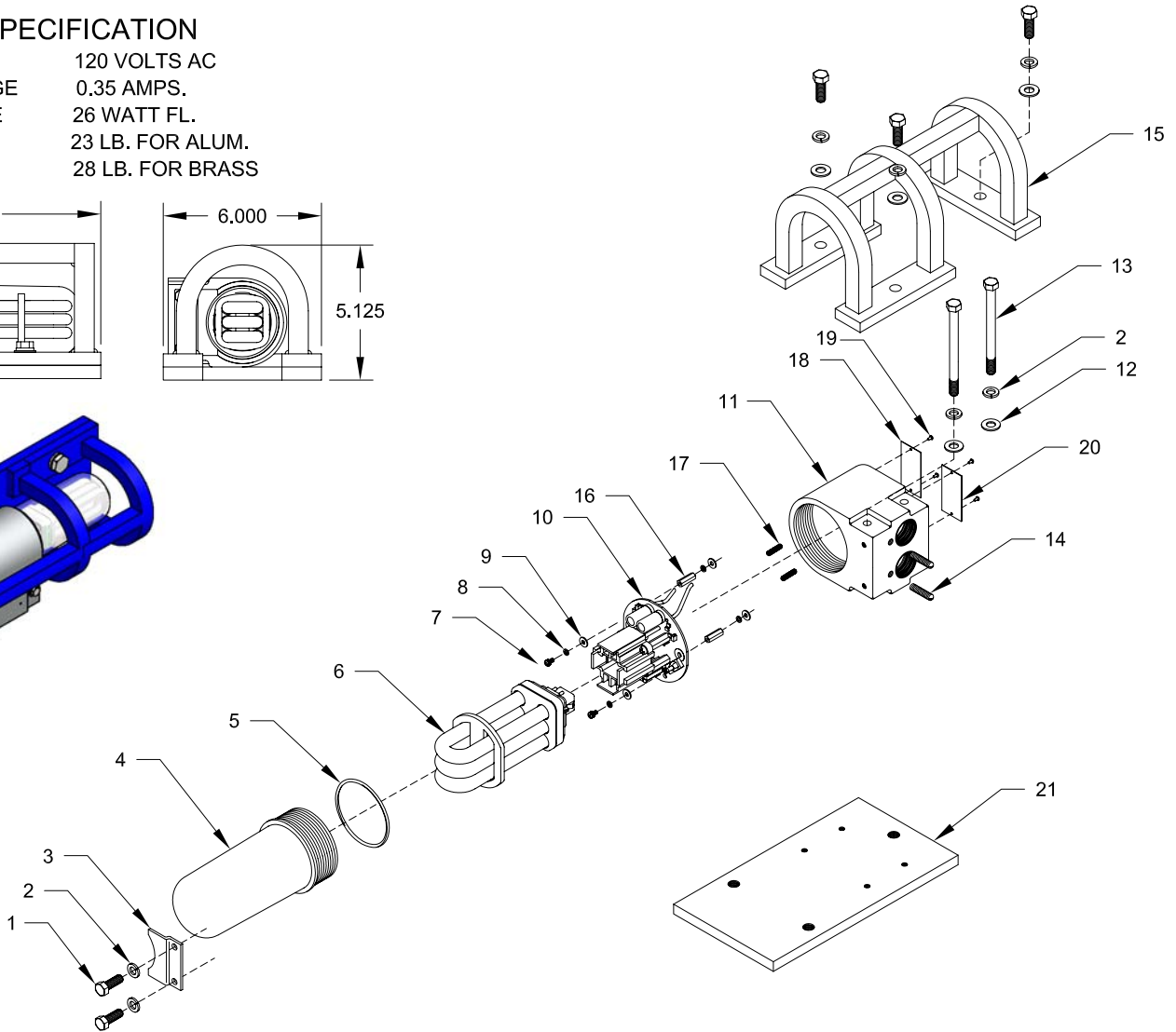
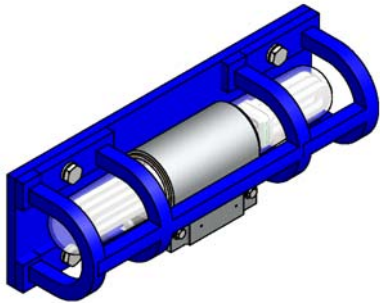
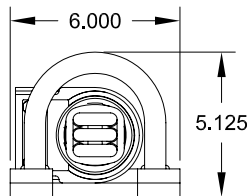
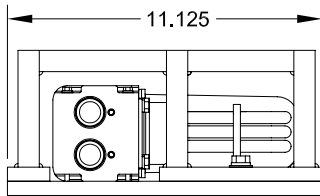




Mine Lighting Systems
 Mining Controls Inc.
 P.O. Box 1141
 Beckley, WV 25873
 304-252-6243
 lrowley@minelightingsystems.com

OPERATING SPECIFICATION

FIXTURE VOLTAGE 120 VOLTS AC
 FIXTURE AMPERAGE 0.35 AMPS.
 FIXTURE WATTAGE 26 WATT FL.
 FIXTURE WEIGHT 23 LB. FOR ALUM.
 28 LB. FOR BRASS



7015-35777-1371

LP(ALUM) HD GUARD SHORT CLEAR SCRATCH & CHEMICAL RESISTANT COATING GLOBE 26W 120VAC BALLAST

Item	Qty.	Part Number	Description
1	2	1041-50003-1	1/4" - 20 X 1/2" Hex Bolt
2	1	1041-50004	1/4" Lock Washer
3	1	2020-29948-1	Locking Clip
4	1	2013-29913-100	Clear Scratch & Chemical Resistant
5	1	2019-31137-1	"O" Ring
6	1	2021-33251	23W Bulb Kit 120V (Sold Separately)
7	2	1041-50237-1	#6 - 32 X 3/8" Socket Head CS
8	4	1041-50042	#6 Lock Washer
9	4	1041-50041	#6 Flat Washer
10	2	2021-35344	Ballast
11	1	2010-29911-1	Aluminum Housing

Item	Qty.	Part Number	Description
12	2	1041-50026	1/4" Flat Washer
13	2	1041-50003-10	1/4" - 20 X 3 1/2" Hex Bolt
14	2	1041-50020-9	1/4" - 20 X 1" Set Screw
15	1	2022-31174-GHD	Heavy Duty Guard Assembly
16	2	1041-50239-2	1/4" Hex Standoff 3/4" Long
17	2	1041-50218-1	#6-32 x 1" Socket Set Screw
18	1	1044-20011	Certification Tag
19	1	1044-20038	PA Tag
20	4	1041-50005	Drive Screw
21	1	2022-31174-PHD	LP Base Plate For HD