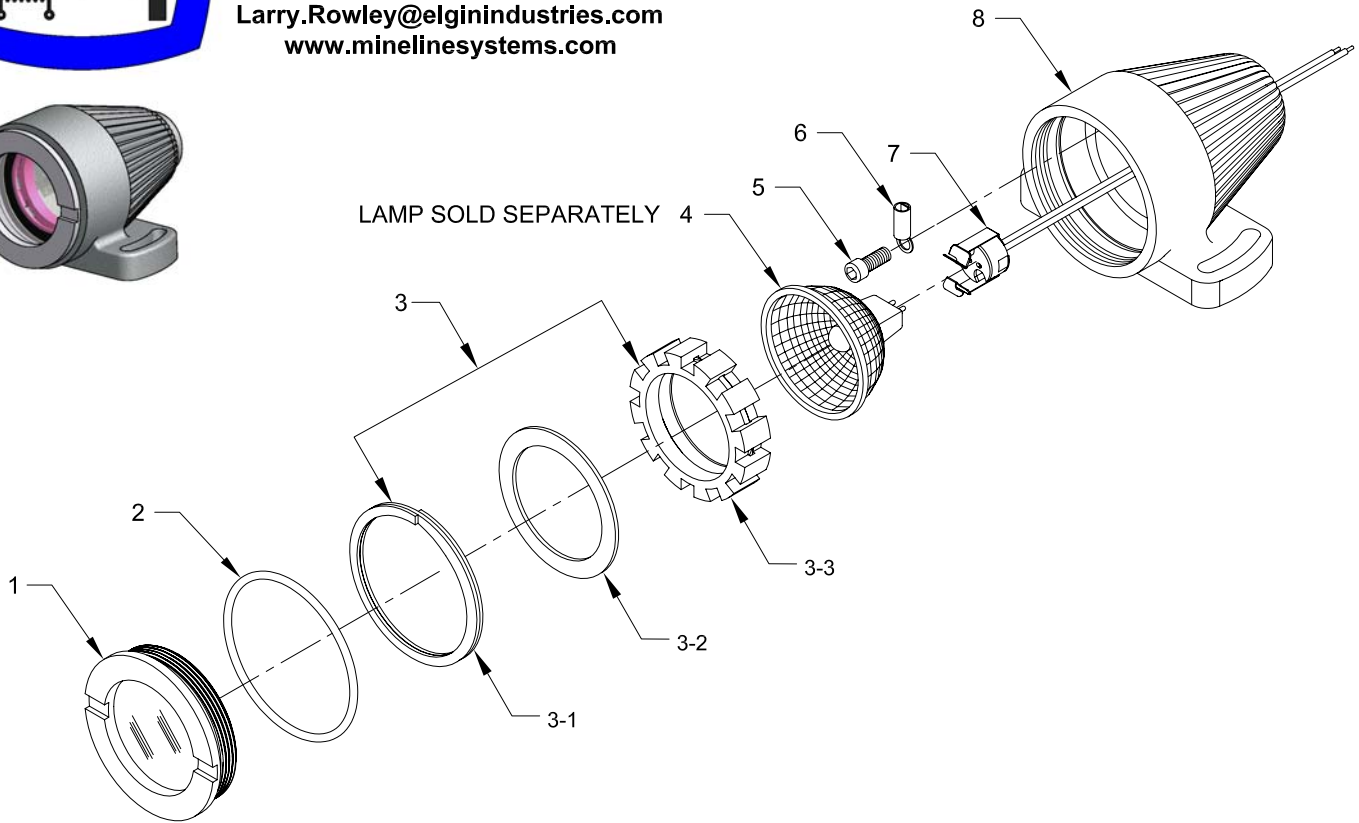




**Mine Lighting Systems  
Mining Controls Inc.**  
P.O. Box 1141  
Beckley, WV 25873  
304-252-6243

Larry.Rowley@elginindustries.com  
www.minelinesystems.com

CABLE GLAND  
SOLD SEPARATELY



## 7030-35870-1

### MCI 50 Water Tight Head Light With Clip Socket, Ground Screw And No Lamp Or Packing Gland

Item	Qty.	Part Number	Description
1	1	2010-34128	Clear Lens Assembly
2	1	2019-29731-6	O Ring
3	1	2023-34238-1	Lamp Holder Kit
3-1	1	3015-33835	Snap Ring
3-2	1	1031-33578-1	Black Ring
3-3	1	3018-33571-3	Lamp Holder
4	1	See Bulb Chart	Lamp Sold Separately
5	1	1041-50237-2	#6-32 SH Cap Screw
6	1	1035-20301-14	Ring Terminal
7	1	2020-29729-1	Clip Socket
8	1	2010-35770-2	Alum. Housing

