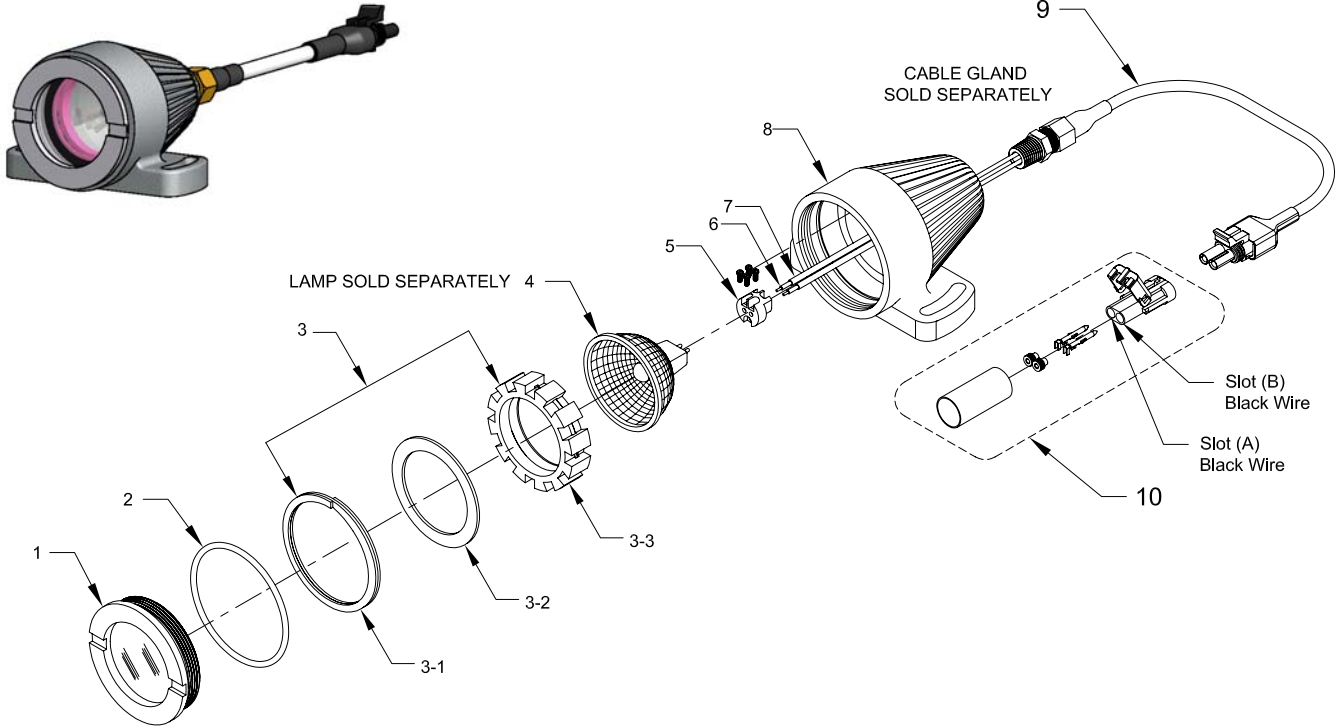


**Mine Lighting Systems  
Mining Controls Inc.**  
P.O. Box 1141  
Beckley, WV 25873  
304-252-6243  
Larry.Rowley@elginindustries.com  
www.minelinesystems.com

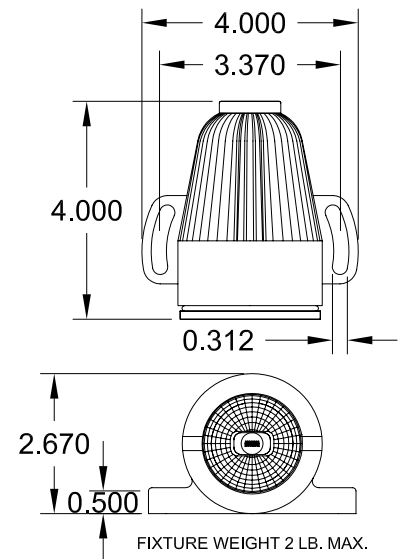


Note: Wiring The Connector  
Slot (A) White Wire = 12 Volts Positive  
Slot (B) Black Wire = 12 Volts Negative

## 7030-35870-4

### Model MCI50 Water Tight Fixture With In-Line Screw Socket, 50 Watt 12 VAC/DC Flood Lamp and 12" Weather Pak Pigtail Connector

| Item | Qty.  | Part Number   | Description                           |
|------|-------|---------------|---------------------------------------|
| 1    | 1     | 2010-34128    | Clear Lens Assembly                   |
| 2    | 1     | 2019-29731-6  | O Ring                                |
| 3    | 1     | 2023-34238-1  | Lamp Holder Kit                       |
| 3-1  | 1     | 3015-33835    | Snap Ring                             |
| 3-2  | 1     | 1031-33578-1  | Black Ring                            |
| 3-3  | 1     | 3018-33571-3  | Lamp Holder                           |
| 4    | 1     | 2021-29730-33 | Bulb 50 Watt 12 Volt                  |
| 5    | 1     | 2020-32773-3  | Socket With Lock Screws Inline        |
| 6    | 3 FT. | 6012-33581    | Socket Wire                           |
| 7    | 1 FT. | 1051-33726    | Socket Wire Sleeving                  |
| 8    | 1     | 2010-35770-2  | Alum. Housing                         |
| 9    | 1     | 1037-34348-5  | Weather Pak Straight Pigtail Assembly |
| 10   | 1     | 1037-34348-6  | Weather Pack Receptacle Assembly      |



www.minelightsystems.com  
Mining Controls Inc. 304-252-6243