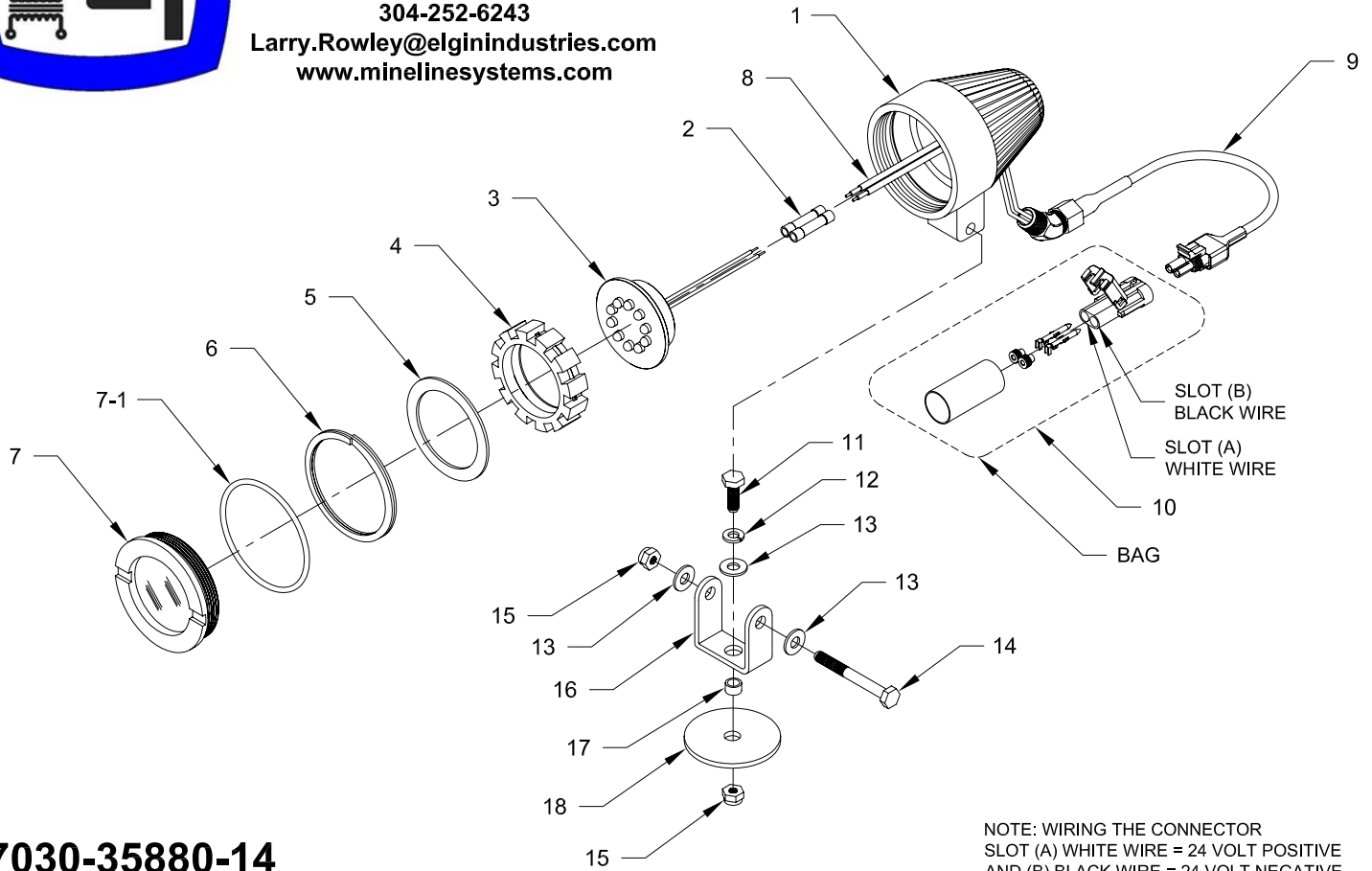


Mine Lighting Systems
Mining Controls Inc.
 P.O. Box 1141
 Beckley, WV 25873
 304-252-6243
 Larry.Rowley@elginindustries.com
 www.minelinesystems.com

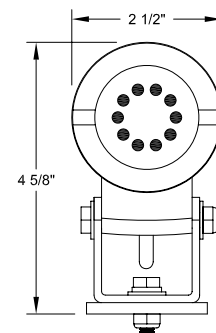


NOTE: WIRING THE CONNECTOR
 SLOT (A) WHITE WIRE = 24 VOLT POSITIVE
 AND (B) BLACK WIRE = 24 VOLT NEGATIVE

7030-35880-14

T50 Standard Swivel Mount Head Light With Inline Screw Socket, 24 V. Red LED Lamp And Weather Pak Pigtail Connector

Item	Qty.	Part Number	Description
1	1	2010-35771-2	Alum. Housing
2	2	1035-20304-5	Butt Splice # 22-18 AWG (Pink)
3	1	2021-33798-R-24	Red LED Assembly 24 Volts
4	1	3018-33571-3	Lamp Holder
5	1	1031-33578	Black Ring
6	1	3015-33835	Snap Ring
7-1	1	2019-29731-6	O Ring
7	1	2010-34128	Clear Lens Assembly
8	1 FT.	1051-33726	Sleeving
9	1	1037-34348-51	Weather Pak Pigtail assembly
10	1	1037-34348-6	Weather Pak Receptacle Kit
11	1	1041-50003-3	Bolt 1/4-20 X 1 Hex Head
12	1	1041-50004	1/4" Lock Washer
13	3	1041-50026	1/4" Flat Washer
14	1	1041-50003-18	Bolt 1/4-20 X 2-1/4 Hex Head
15	2	1041-50024-2	Nylon Lock Nut 1/4-20 Hex
16	1	2022-33620-1	"U" Mounting Bracket
17	1	2010-33323-1	Spacer Tube
18	1	3018-33620-3	Base Pad



FIXTURE WEIGHT 2 LB. MAX.

