



Mine Lighting Systems

Mining Controls Inc.

P.O. Box 1141

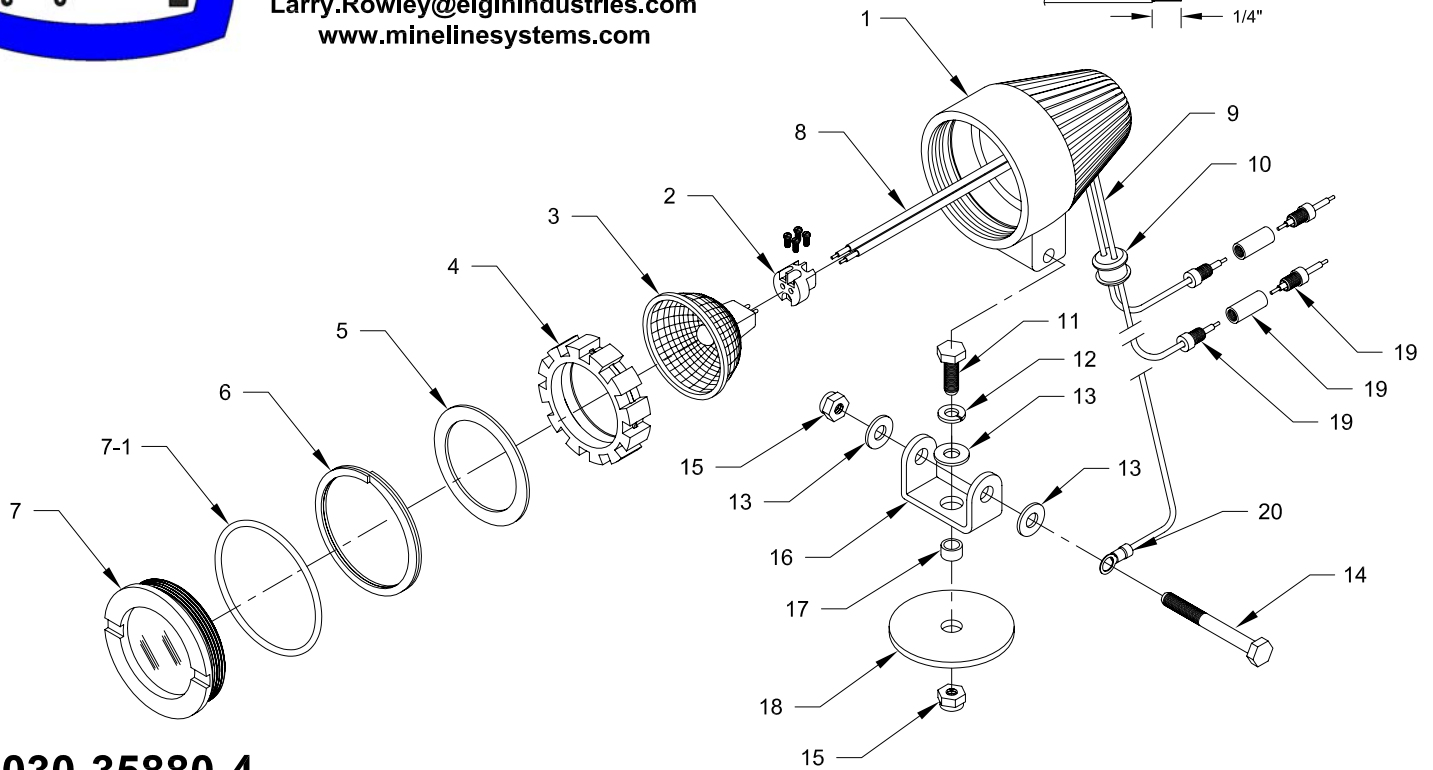
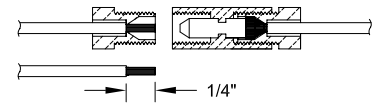
Beckley, WV 25873

304-252-6243

Larry.Rowley@elginindustries.com

www.minelinesystems.com

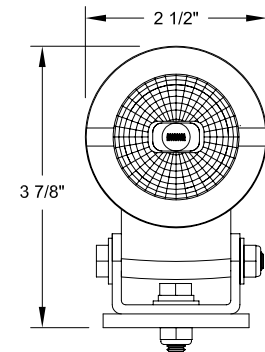
Item 19 Posi-Lock Wire Connector



**7030-35880-4**

## T50 Standard Swivel Mount Head Light With Inline Screw Socket, 12 V. AC\DC 20 Watt Flood Lamp And Posi-Lock Connectors

Item	Qty.	Part Number	Description
1	1	2010-35771-2	Alum. Housing
2	1	2020-32773-3	Socket
3	1	2021-29730-14	Bulb 20 Watt 12 Volt
4	1	3018-33571-3	Lamp Holder
5	1	1031-33578	Black Ring
6	1	3015-33835	Snap Ring
7-1	1	2019-29731-6	O Ring
7	1	2010-34128	Clear Lens Assembly
8	1 FT.	1051-33726	Sleeving
9	3 FT.	6012-33581	Socket Wire
10	1	3018-33620-2	Wire Grip And Seal
11	1	1041-50003-3	Bolt 1/4-20 X 1 Hex Head
12	1	1041-50004	1/4" Lock Washer
13	3	1041-50026	1/4" Flat Washer
14	1	1041-50003-18	Bolt 1/4-20 X 2-1/4 Hex Head
15	2	1041-50024-2	Nylon Lock Nut 1/4-20 Hex
16	1	2022-33620-1	"U" Mounting Bracket
17	1	2010-33323-1	Spacer Tube
18	1	3018-33620-3	Base Pad
19	2	1035-33794-1	Posi-Lock Wire Connector
20	3	1035-20301-3	Blue O-Ring Terminal



FIXTURE WEIGHT 2 LB. MAX.

