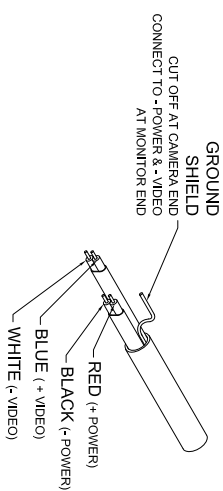
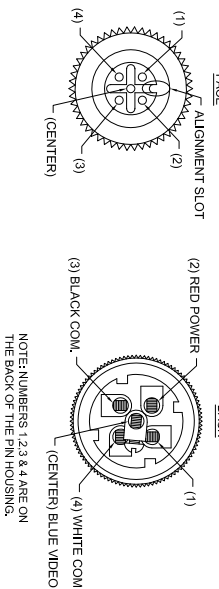
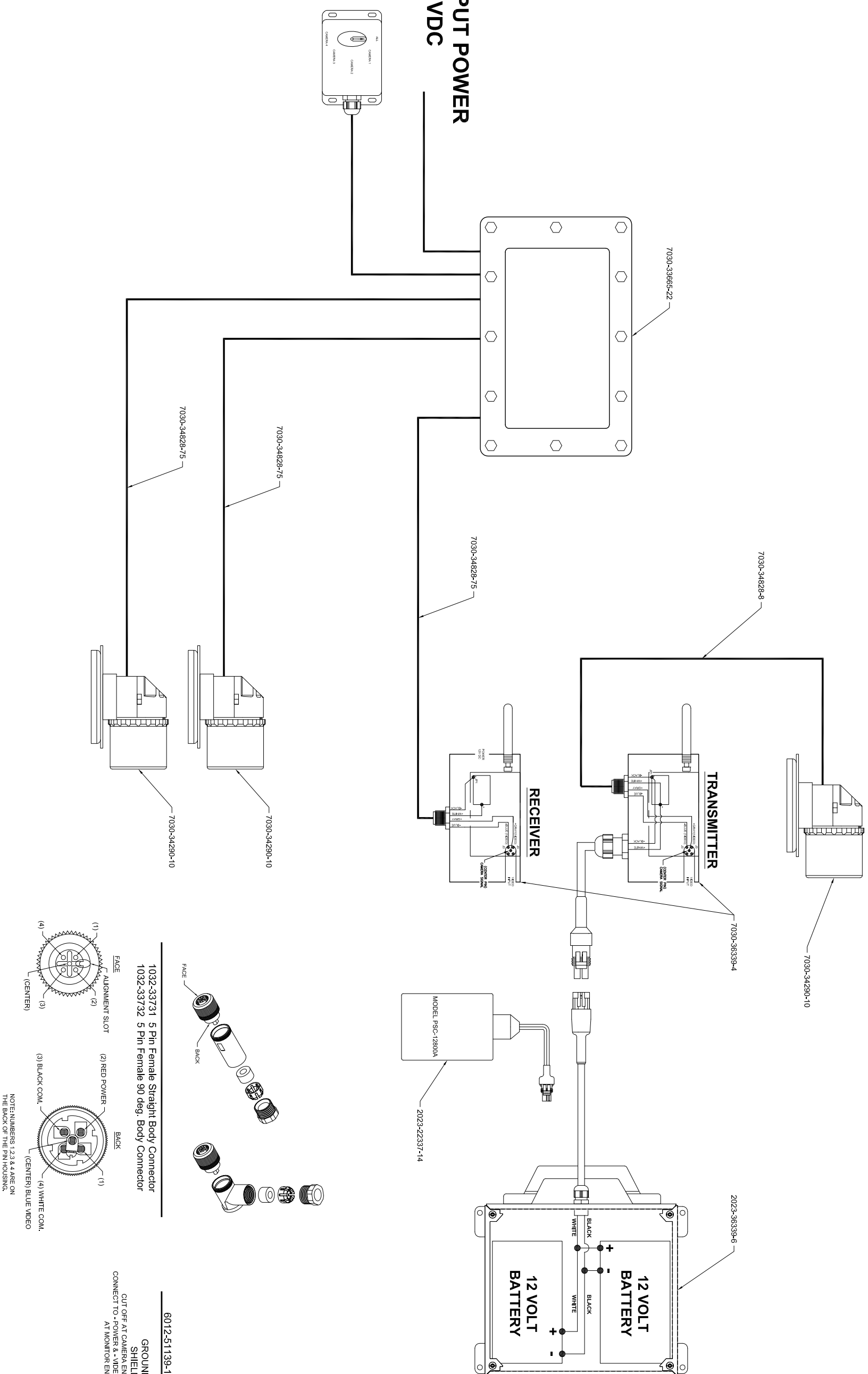
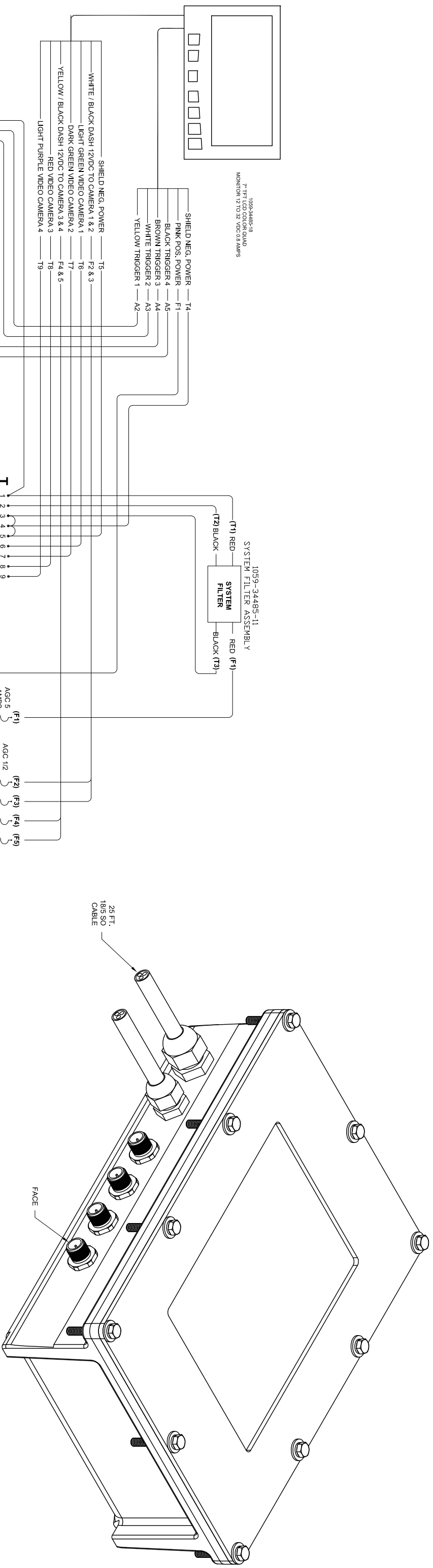


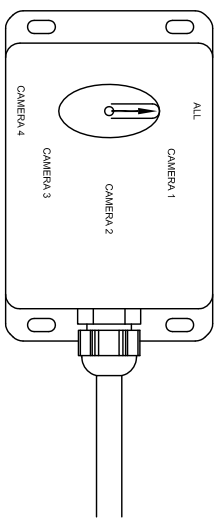
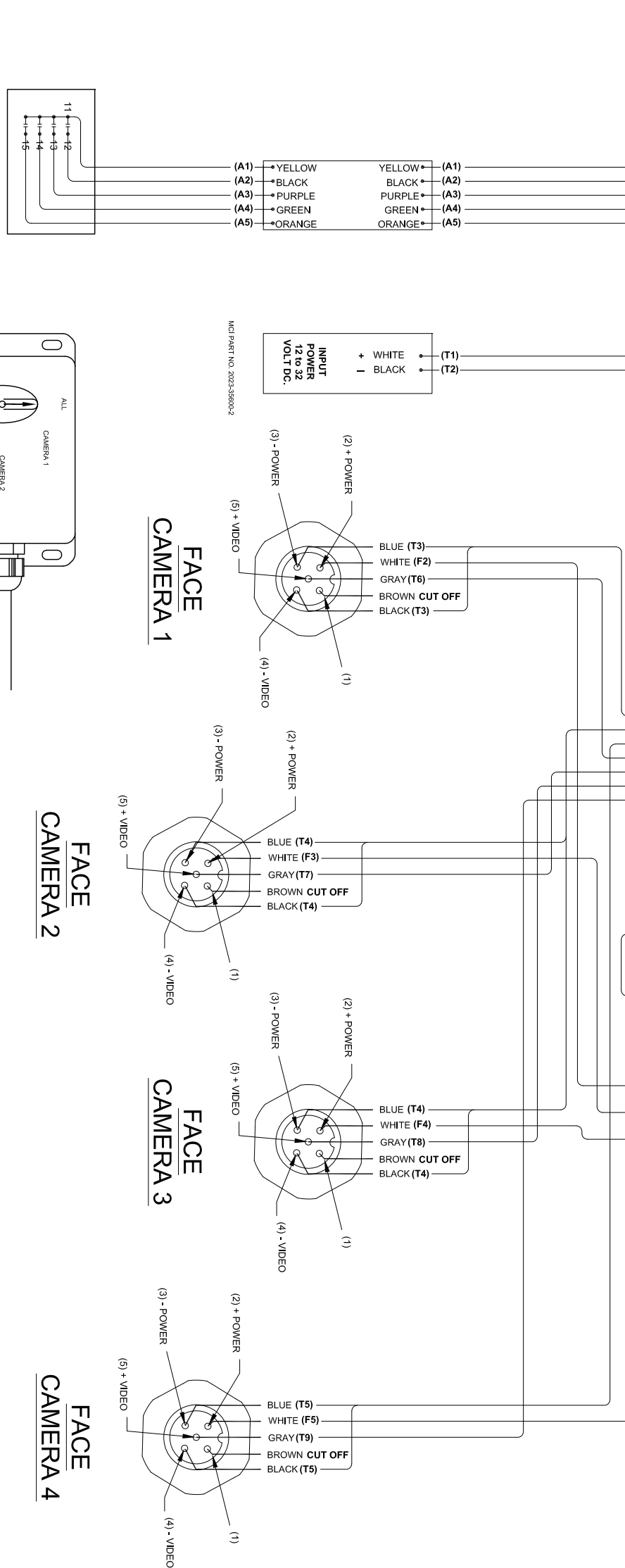
# INPUT POWER 12 VDC



MACHINE FROM		DRAWING BY		CHECKED BY	
DWG. SCALE	DATE DRAWN	DWG. NO.	DATE	DWG. NO.	DATE
ALL DIMENSIONS IN INCHES (DIMENSIONS IN METERS OTHERWISE SPECIFIED)	8-19-12	LVA			
DECIMALS . XXX =					
ANGLES					
P.O. BOX 1141 BECKLEY, W.V. 25801					
TITLE <b>SYSTEM WIRING DIAGRAM                  FOR 7030-33665-22 QUAD MONITOR</b>					
PART NUMBER	REV.				
WD-7030-33665-22-1	A				



**7030-33665-22**  
 MONITOR FOR ( UNDER-GROUND NON-XP APPLICATIONS ) 7"  
 COLOR QUAD WIDE SCREEN LCD ENCLOSURE COMPLETE  
 FOR ONE CAMERA SYSTEMS VOLTAGE 12 - 32 VDC 800 mA



FACE  
CAMERA 1

FACE  
CAMERA 2

FACE  
CAMERA 3

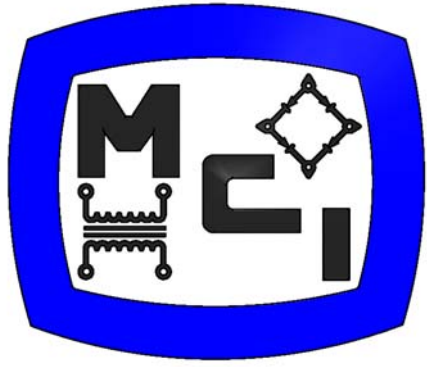
FACE  
CAMERA 4

MCI PART NO. 2023366002

**MCI MINING CONTROLS**  
 INCORPORATED  
 P.O. BOX 1141 BECKLEY, W.V. 25801

TITLE  
**WIRING DIAGRAM**  
 MONITOR, CAMERA & CONNECTOR

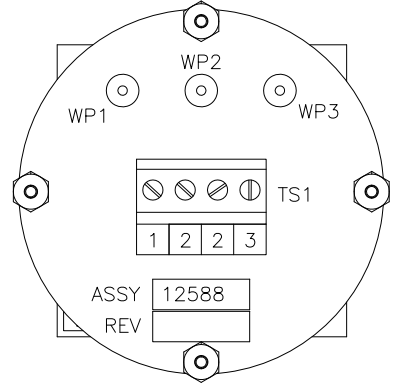
DATE DRAWN 8-24-12  
 DRAWN BY LWR  
 CHECKED BY  
 PART NUMBER **WD 7030-33665-22**  
 REV. **A**



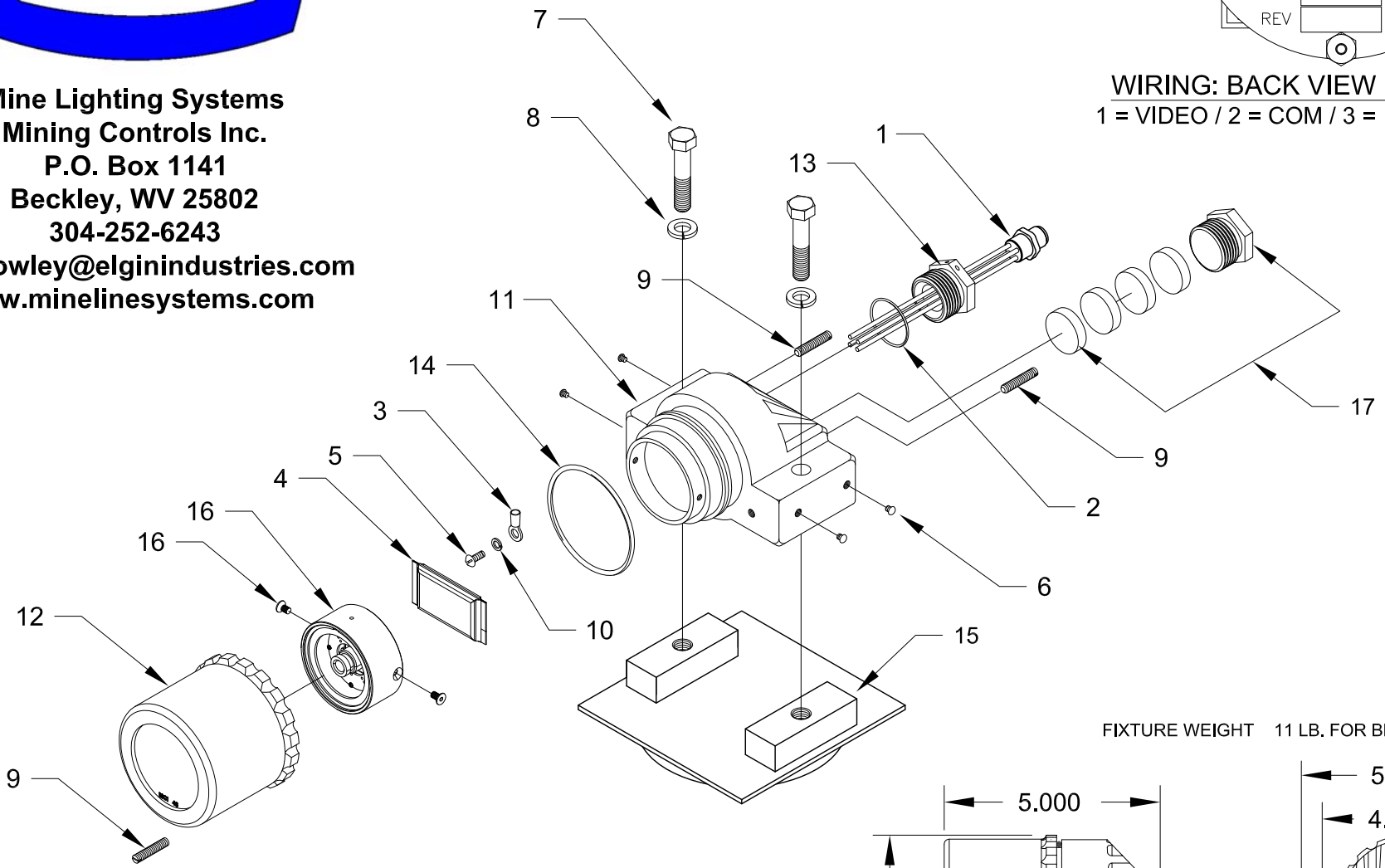
**Mine Lighting Systems  
Mining Controls Inc.**  
P.O. Box 1141  
Beckley, WV 25802  
304-252-6243

[larry.rowley@elginindustries.com](mailto:larry.rowley@elginindustries.com)  
[www.minelinesystems.com](http://www.minelinesystems.com)

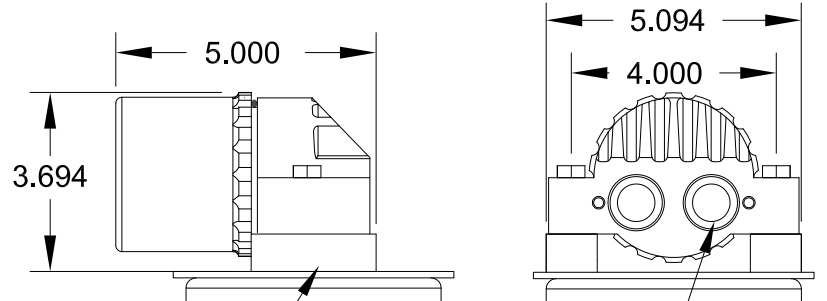
**PARTS NOT SHOWN**  
**ITEM 18: S-4344**



**WIRING: BACK VIEW OF CAMERA**  
1 = VIDEO / 2 = COM / 3 = 12 VOLT DC. (+)



FIXTURE WEIGHT 11 LB. FOR BRONZE



Tack Weld Plate And  
Magnet to Mounting Pads

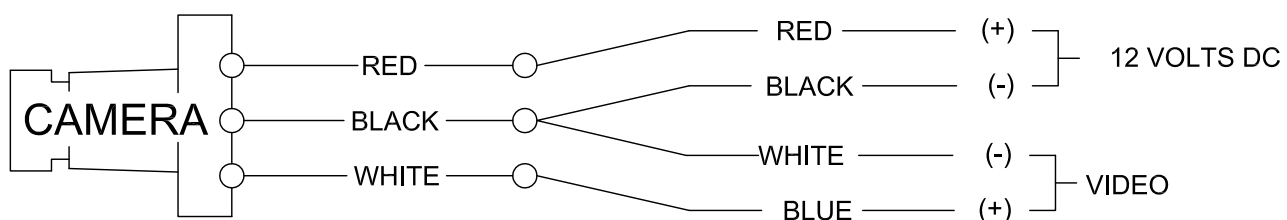
1 1/8" - 12 Threads  
Typ. 2 Places

**7030-34290-10**

**CAMERA MODEL MCI 50 XP ALUM. SETUP FOR NON- EXPLOSION PROOF BLACK & WHITE WITH 3.6 MM LENS, 600 LINES RESOLUTION , 0.0003 LUX , 12 VDC @ 120mA , MIRROR IMAGE OPTION, WITH FIVE PIN PIGTAIL**

Item	Qty.	Part Number	Description
1	1	1032-34557	5 PIN CONNECTOR MALE WITH LEADS
2	1	1033-27533-2	1-3/16" X 3/32" O-RING
3	1	1035-20302-3	RING TERMINAL NO. 10 HOLE SIZE
4	1	1038-33991	DESICCANT BAG
5	1	1041-50002-1	8-32 X 1/4" SS ROUND HEAD SCREW
6	4	1041-50005	DRIVE SCREW 4 X 3/16"
7	2	1041-50006-6	BOLT 3/8-16 X 1-3/4" HEX
8	2	1041-50008	LOCK WASHER 3/8"
9	3	1041-50009-3	1/4" - 20 X 1" SS SET SCREW
10	1	1041-50031	LOCK WASHER # 8

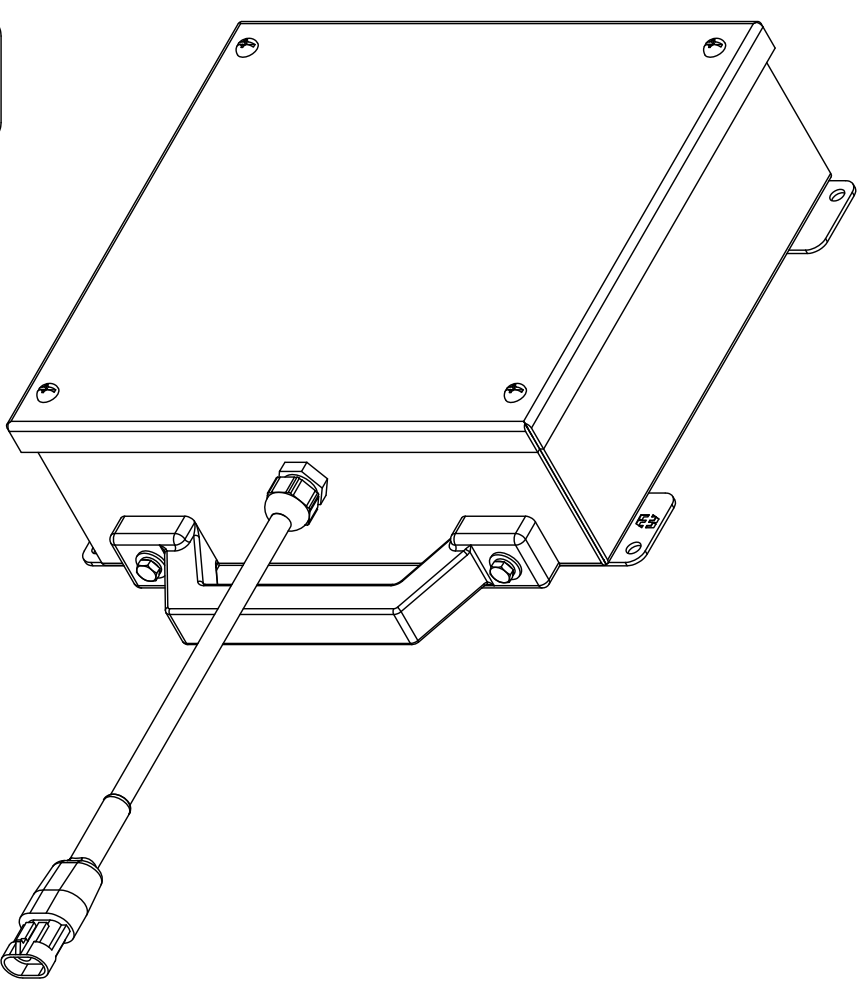
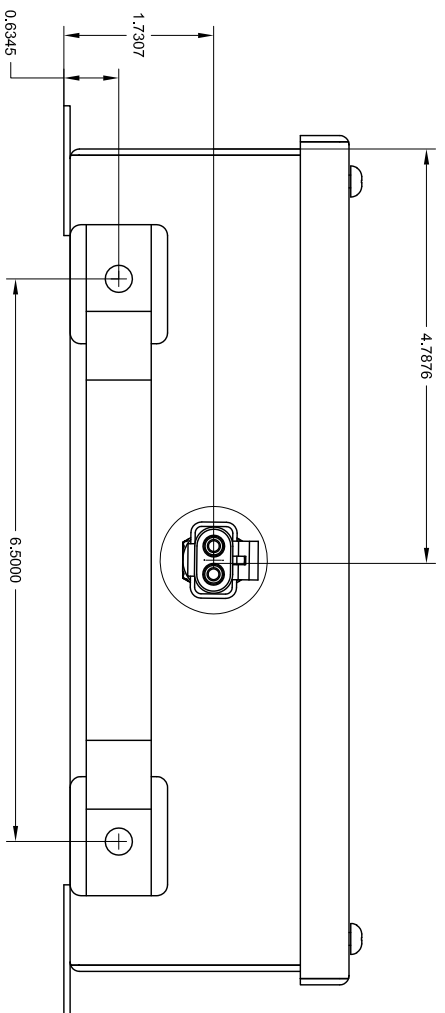
Item	Qty.	Part Number	Description
11	1	2010-31678H-A	MCI 50 XP MACHINED ALUM. HOUSING
12	1	2013-35120-1	SHORT ALUM. LENS RING ASSEMBLY
13	1	2014-20029-6	PG-9 THREADED PACKING GLAND NUT
14	1	2019-31137-1	O-RING 2-3/4" X 2-1/2" X 1/8"
15	1	2023-32974-1	MAGNET MOUNTING FOR MCI 50 XP
16	1	2023-35440-2	CAMERA REPLACEMENT ASSEMBLY
17	1	2024-20057-1SA	1-1/8"-12 STEEL PLUG ASSEMBLY
18	1	S-4344	BOX 7 X 5 X 5
19	1	TDS SHEET	TECHNICAL DATA SHEET



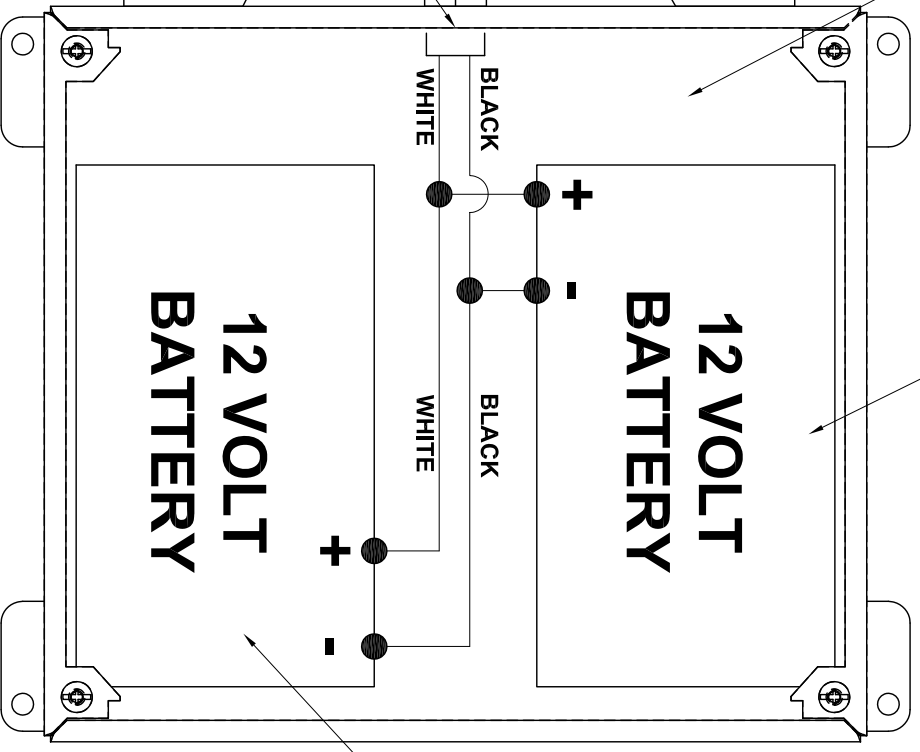
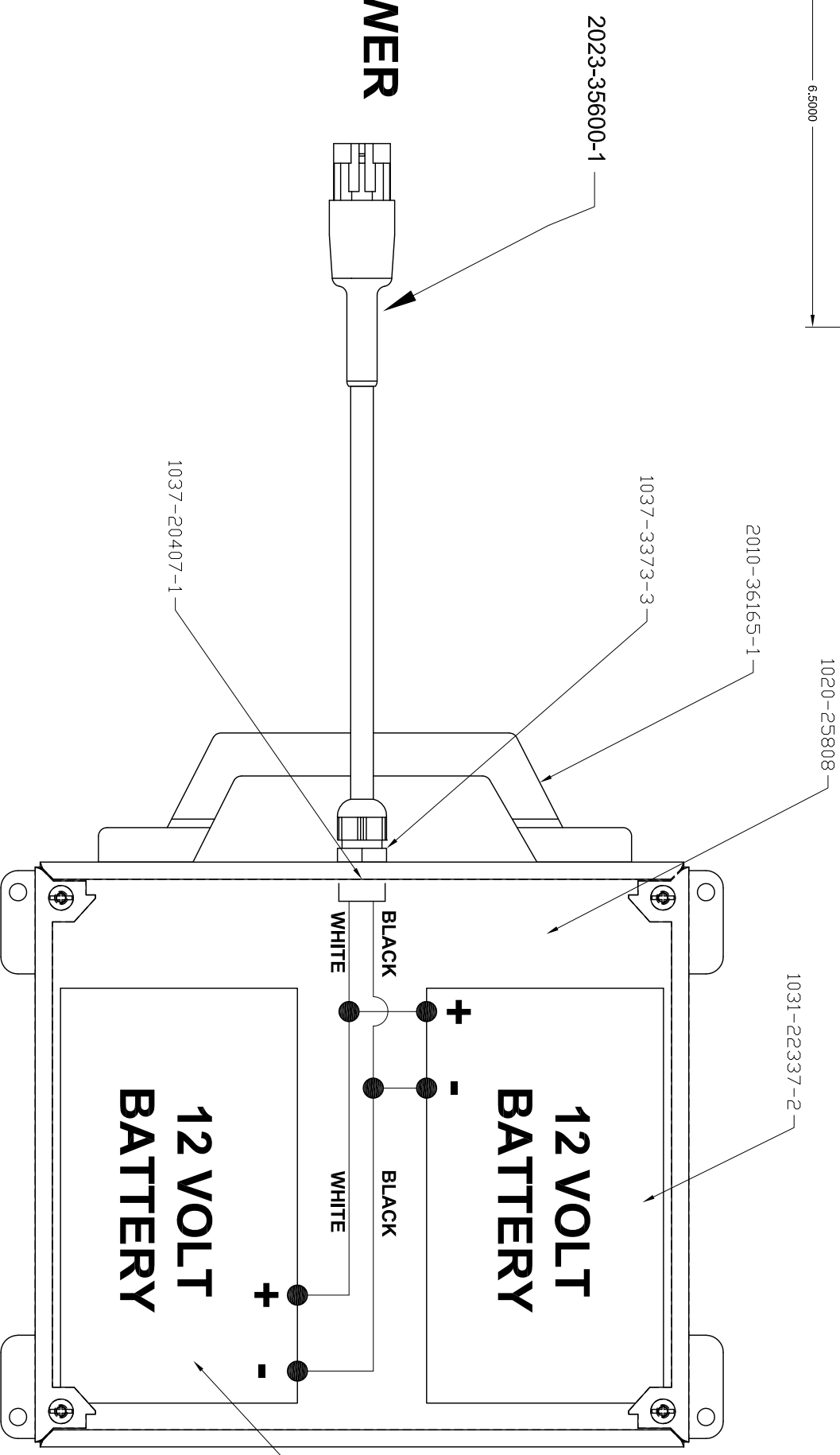
Mining Controls Inc. 304-252-6243 [www.minelightsystems.com](http://www.minelightsystems.com)

TDS-7030-34290-10 REV-A 9-10-12

APPROVAL FOR PRODUCTION: DATE: \_\_\_\_\_  
 DRAFTING: \_\_\_\_\_  
 QUALITY INSPECTION: \_\_\_\_\_  
 PRODUCTION FOREMAN \_\_\_\_\_  
 MANAGER: \_\_\_\_\_  
 THIS DRAWING IS NOT APPROVED FOR PRODUCTION UNLESS SIGNED

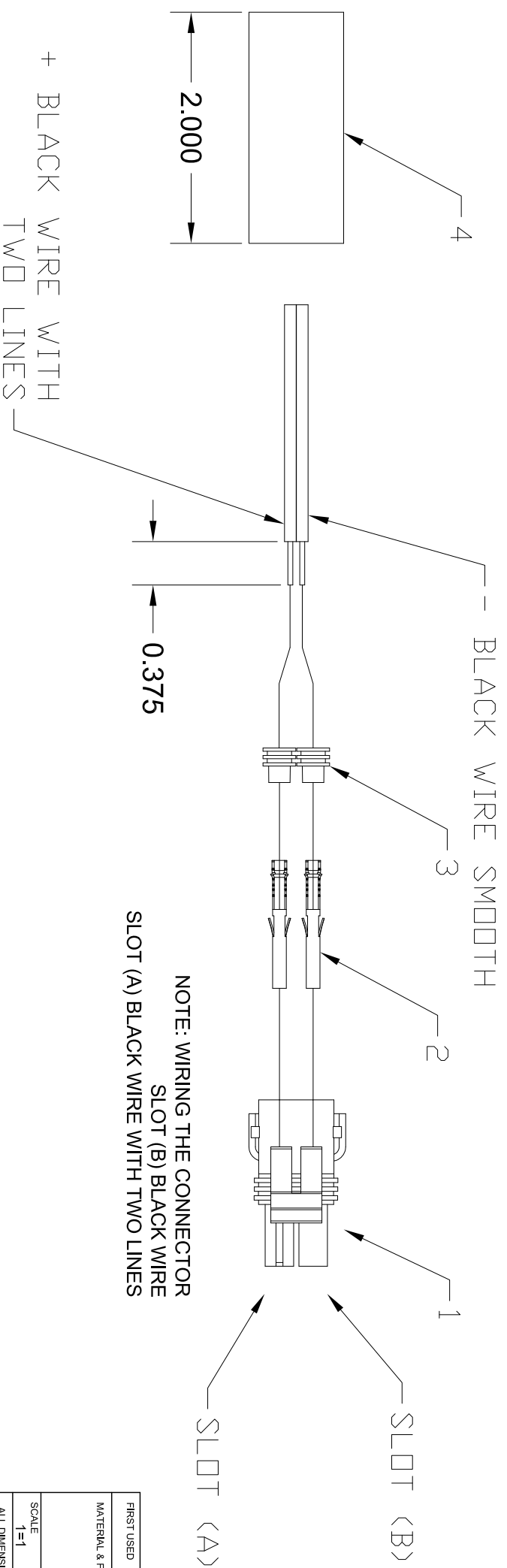
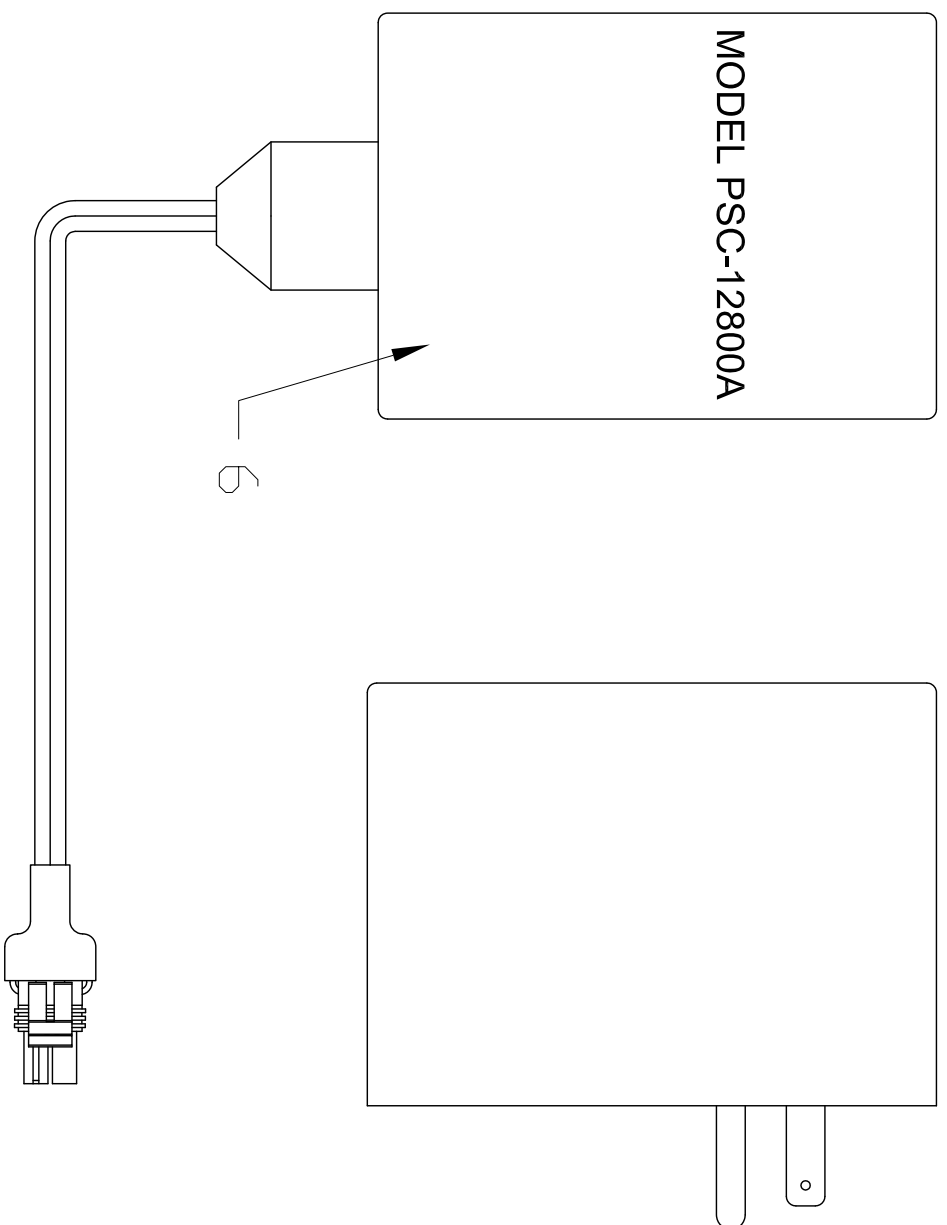



**INPUT POWER  
12 VDC**



MACHINE FROM		MINING CONTROLS INCORPORATED	
DWG SCALE	DATE DRAWN	DRAWN BY	CHECKED BY
	8-5-12	CMT	
ALL DIMENSIONS IN INCHES UNLESS OTHERWISE SPECIFIED			
DECIMALS	. XXX	=	
ANGLES		=	
TITLE		P.O. BOX 1141 BECKLEY, W.V. 25801	
BATTERY PACK ASSEMBLY 12 VOLT 14 AH		MINING CONTROLS INCORPORATED	
PART NUMBER	WD-2023-36339-6	REV.	A

ITEM	QTY.	PART NUMBER	DESCRIPTION
1	1	1035-34095-2	MALE CONNECTOR HOUSING
2	2	1035-34095-5	NON-INSULATED TERMINAL FEMALE
3	2	1035-34095-3	WEATHER SEAL
5	2"	1035-34145	3/4" SHRINK TUBE
6	1	1031-22337-1	BATTERY CHARGER



FIRST USED		MATERIAL & FINISH		 <b>MINING CONTROLS</b> <small>INCORPORATED</small>	
SCALE	DATE DRAWN	DRAWN BY	CHECKED BY	P. O. BOX 1141 BECKLEY, W.V. 25801	
1=1	9-5-12	LWR		TITLE <b>12 VOLT 800mA</b> <b>BATTERY CHARGER</b>	
<small>ALL DIMENSIONS IN INCHES          TOLERANCES UNLESS OTHERWISE SPECIFIED:          DECIMALS . XXX =          FRACTIONS XX =          ANGLES =</small>				DWG. SIZE	REV.
				<b>B</b>	<b>A</b>
				DWG. NO.	WD-2023-22337-14