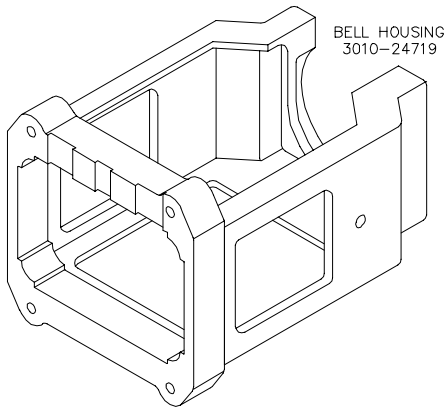
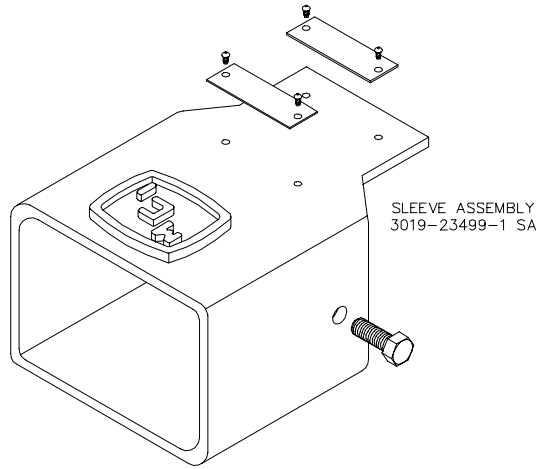


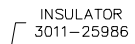
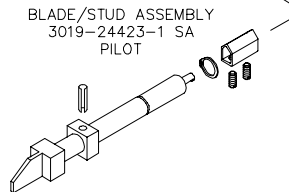
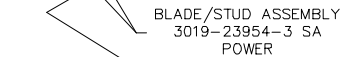
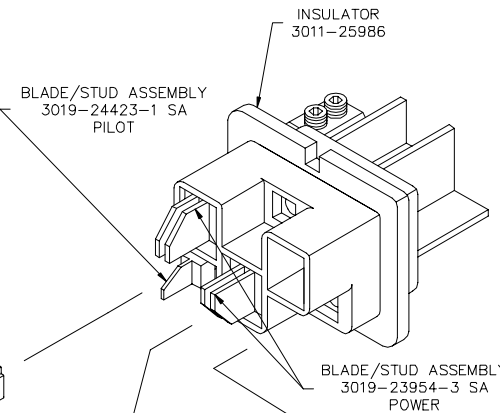
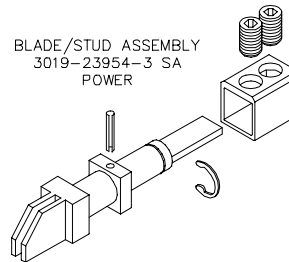
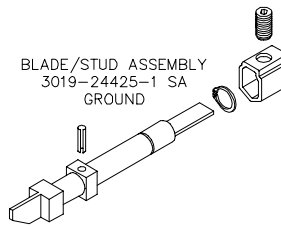
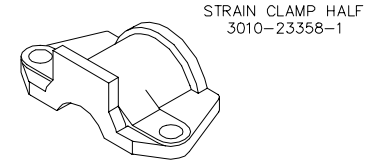
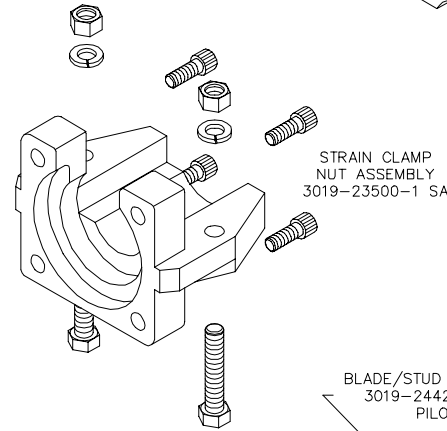
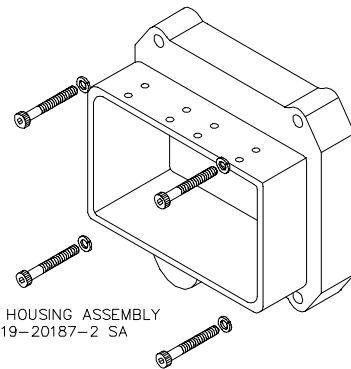


MINING CONTROLS INCORPORATED

P.O. BOX 1141 BECKLEY, W.V. 25801



L3 600	GR 300	L1 600
 100	L2 600	 100

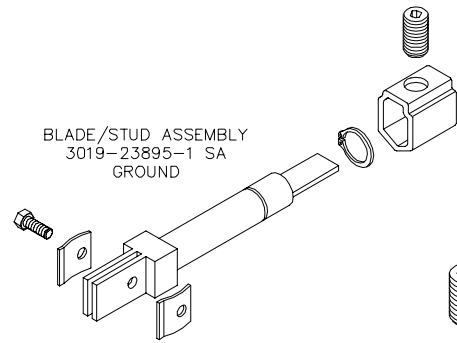


PL 60 DFC 107
PLUG LINE MOUNT
1000 VOLTS AC 600 AMP.
CABLE: 4/0 RD. - 4/0 FLT.

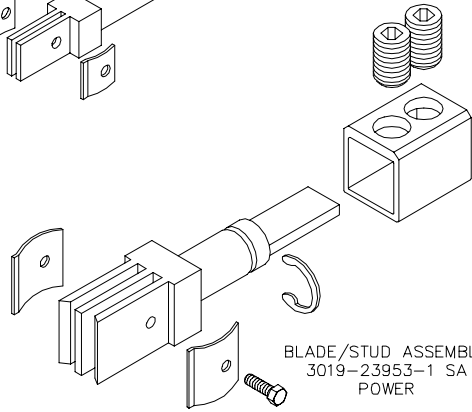


MINING CONTROLS INCORPORATED

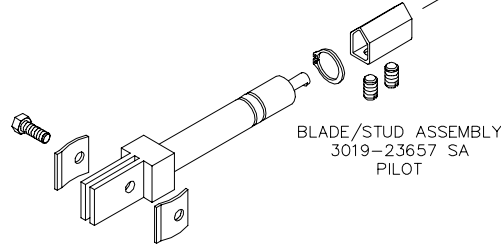
P.O. BOX 1141 BECKLEY, W.V. 25801



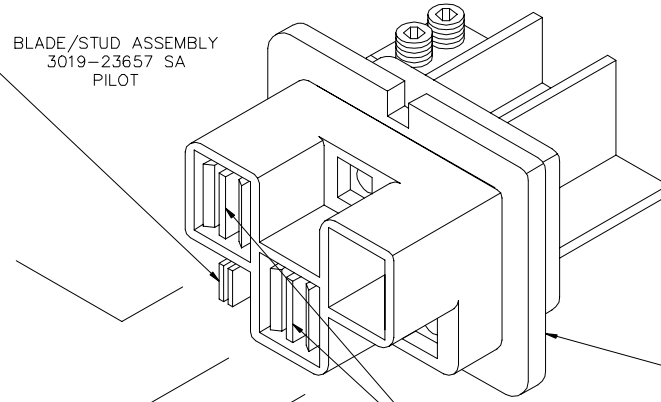
BLADE/STUD ASSEMBLY
3019-23895-1 SA
GROUND



BLADE/STUD ASSEMBLY
3019-23953-1 SA
POWER



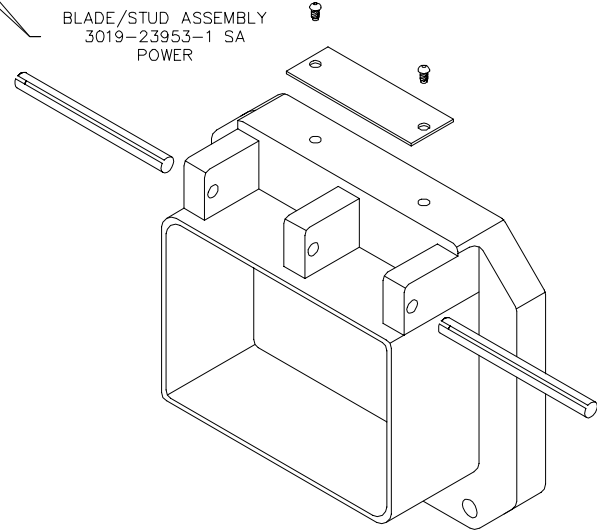
BLADE/STUD ASSEMBLY
3019-23657 SA
PILOT



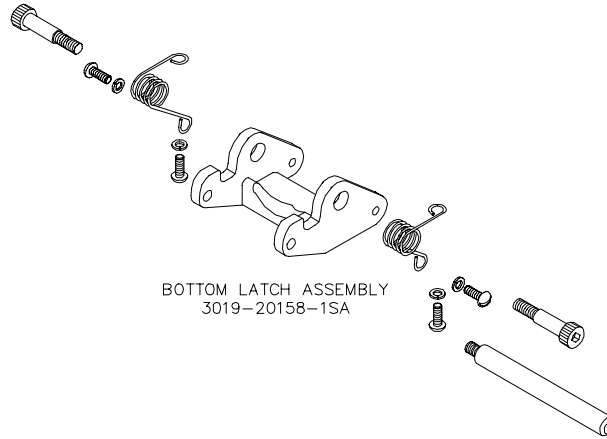
BLADE/STUD ASSEMBLY
3019-23657 SA
PILOT

INSULATOR
3011-25986

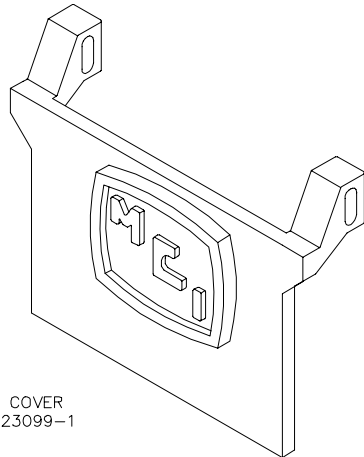
BLADE/STUD ASSEMBLY
3019-23953-1 SA
POWER



MAIN HOUSING ASSEMBLY
3019-20176-2 SA



BOTTOM LATCH ASSEMBLY
3019-20158-1SA



DUST COVER
3010-23099-1

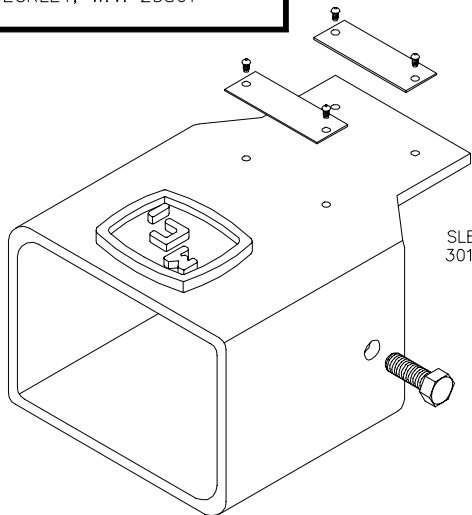
L1 600	GR 300	L3 600
 100	L2 600	 100

RG 60 DFC 107
RECEPTACLE GEAR MOUNT
600 VOLTS AC 600 AMP.
CABLE: 4/0

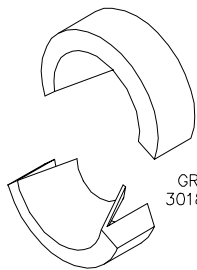


MINING CONTROLS INCORPORATED

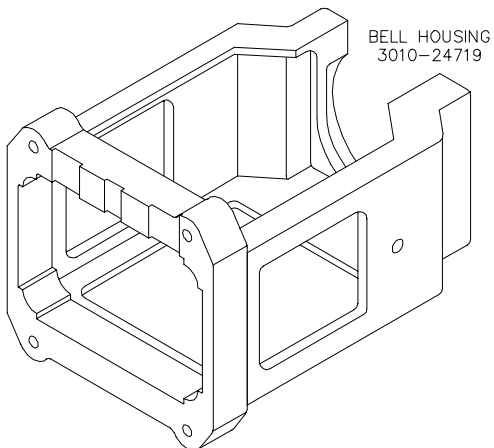
P.O. BOX 1141 BECKLEY, W.V. 25801



SLEEVE ASSEMBLY
3019-23499-1 SA



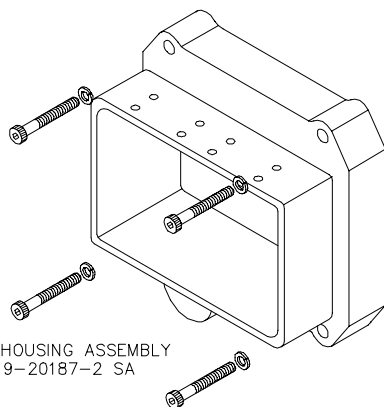
GROMMET
3018-20182



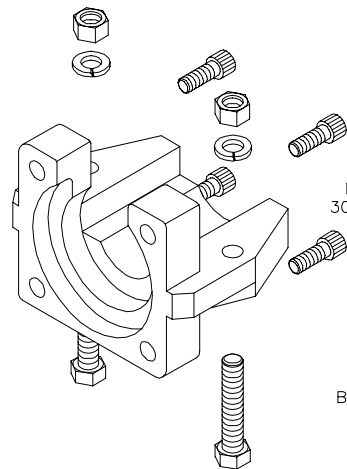
BELL HOUSING
3010-24719



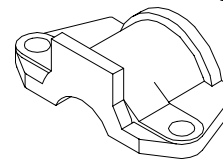
TOP HINGE ASSEMBLY
3019-20136-2 SA



FRONT HOUSING ASSEMBLY
3019-20187-2 SA



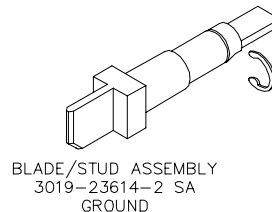
STRAIN CLAMP
NUT ASSEMBLY
3019-23500-1 SA



STRAIN CLAMP HALF
3010-23358-1

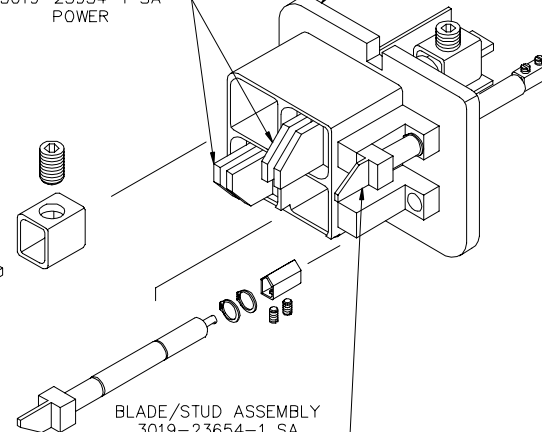


GROUND STRAP ASSEMBLY
3017-23664 SA



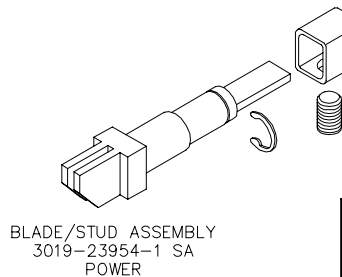
BLADE/STUD ASSEMBLY
3019-23614-2 SA
GROUND

BLADE/STUD ASSEMBLY
3019-23954-1 SA
POWER



BLADE/STUD ASSEMBLY
3019-23654-1 SA
PILOT

INSULATOR
3011-22968-2



BLADE/STUD ASSEMBLY
3019-23954-1 SA
POWER

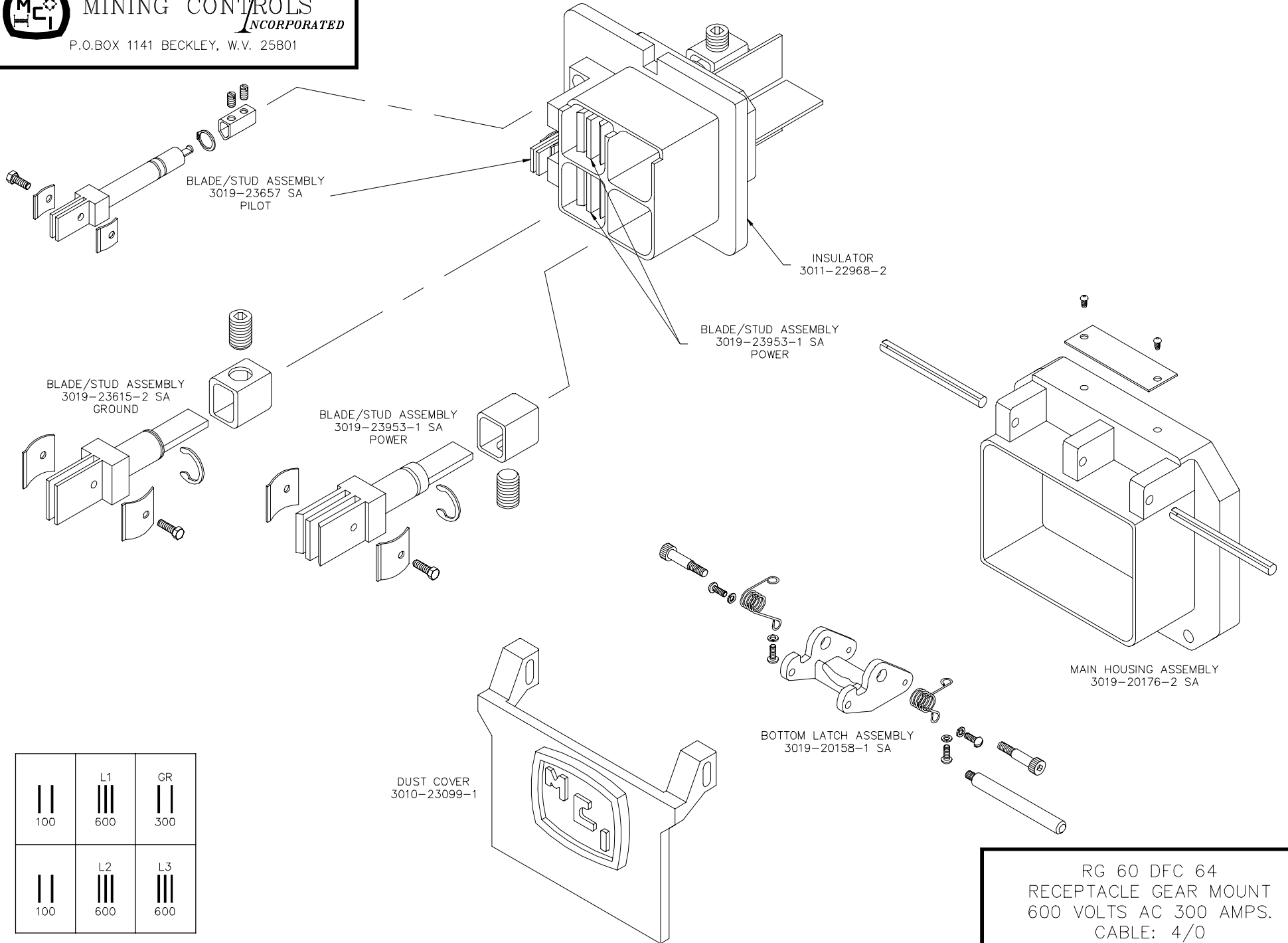
GR 300	L1 600	 100
L3 600	L2 600	 100

PL 60 DFC 64
PLUG LINE MOUNT
600 VOLTS AC 600 AMP.
CABLE: 4/0 RD. - 4/0 FLT.



MINING CONTROLS INCORPORATED

P.O. BOX 1141 BECKLEY, W.V. 25801

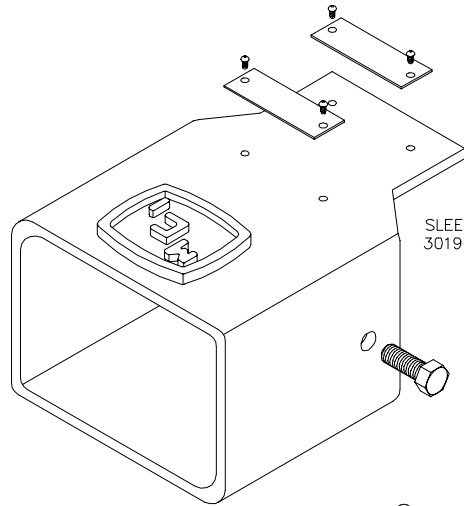


RG 60 DFC 64
RECEPTACLE GEAR MOUNT
600 VOLTS AC 300 AMPS.
CABLE: 4/0

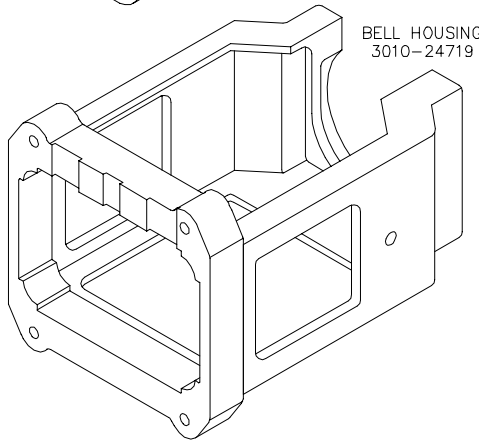


MINING CONTROLS INCORPORATED

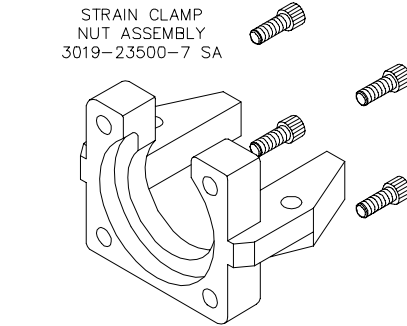
P.O. BOX 1141 BECKLEY, W.V. 25801



SLEEVE ASSEMBLY
3019-23499-1 SA



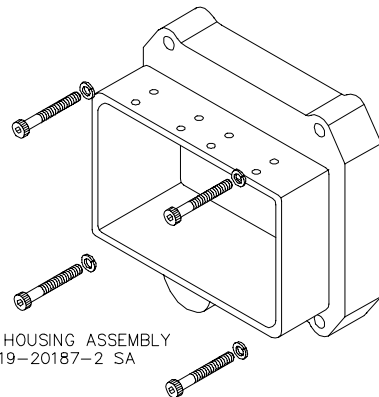
BELL HOUSING
3010-24719



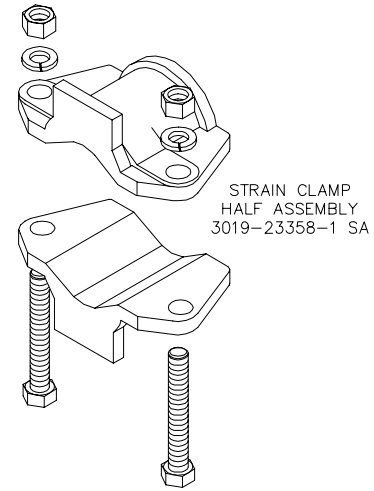
STRAIN CLAMP
NUT ASSEMBLY
3019-23500-7 SA



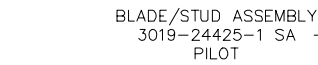
TOP HINGE ASSEMBLY
3019-20136-2 SA



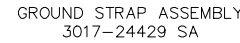
FRONT HOUSING ASSEMBLY
3019-20187-2 SA



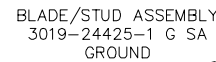
STRAIN CLAMP
HALF ASSEMBLY
3019-23358-1 SA



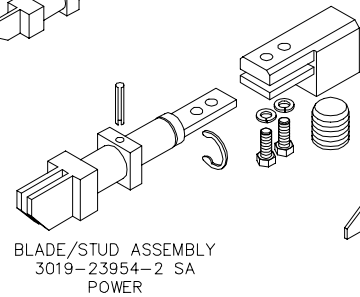
BLADE/STUD ASSEMBLY
3019-24425-1 SA
PILOT



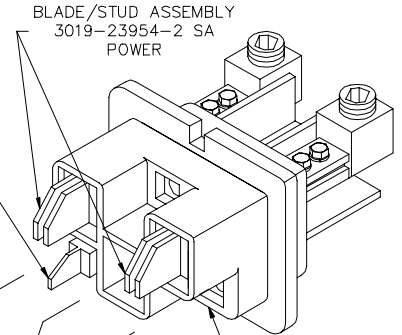
GROUND STRAP ASSEMBLY
3017-24429 SA



BLADE/STUD ASSEMBLY
3019-24425-1 G SA
GROUND

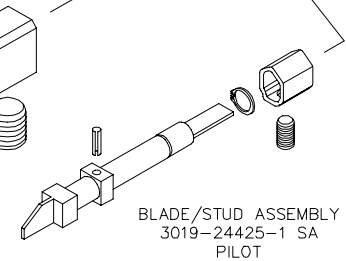


BLADE/STUD ASSEMBLY
3019-23954-2 SA
POWER



BLADE/STUD ASSEMBLY
3019-23954-2 SA
POWER

INSULATOR
3011-24717



BLADE/STUD ASSEMBLY
3019-24425-1 SA
PILOT

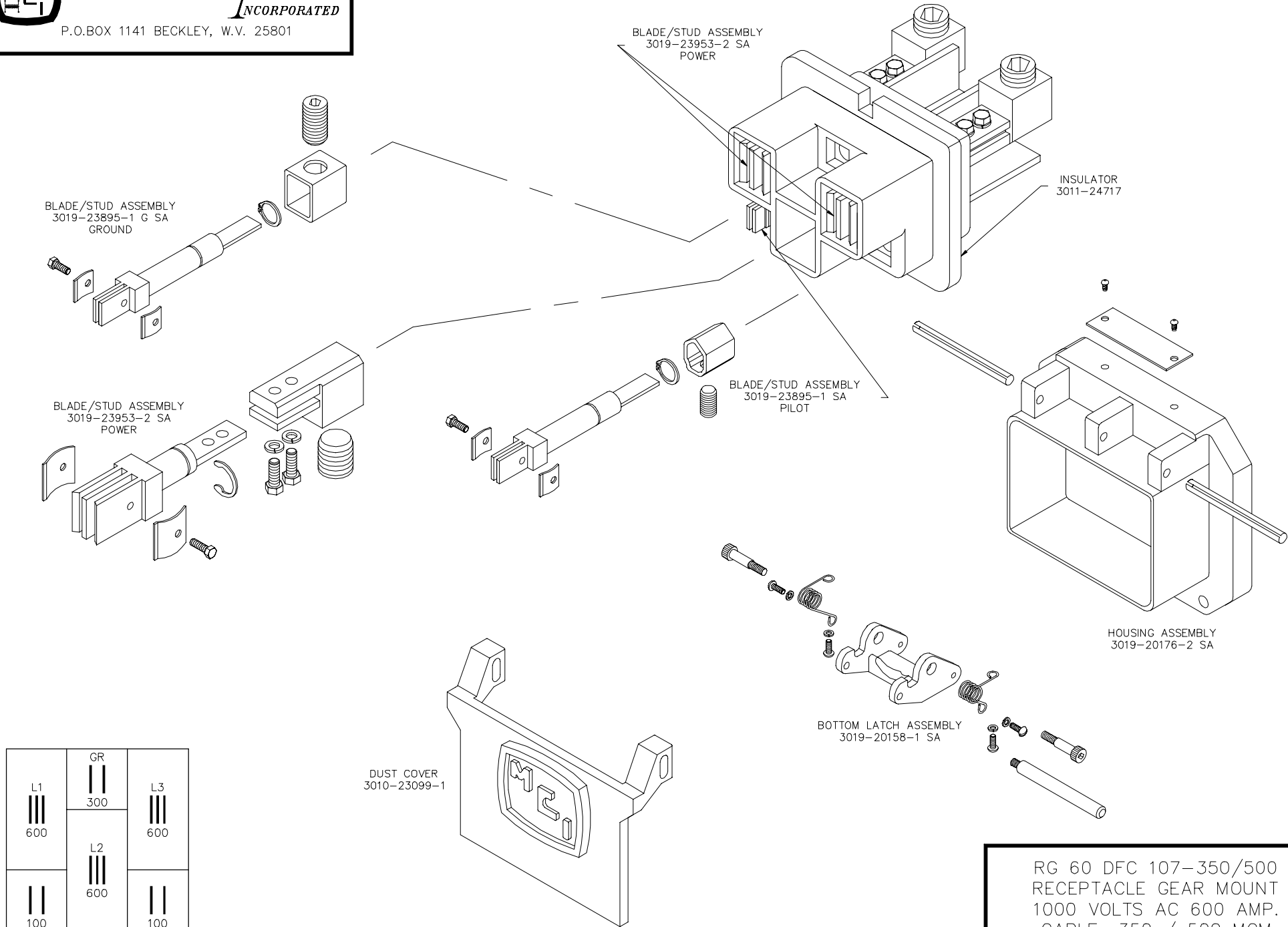
L3 600	GR 300	L1 600
 100	L2 600	 100

PL 60 DFC 107-350/500 MCM
PLUG LINE MOUNT
1000 VOLTS AC 600 ANP.
CABLE: 350 - 500 MCM RD.



MINING CONTROLS
INCORPORATED

P.O. BOX 1141 BECKLEY, W.V. 25801



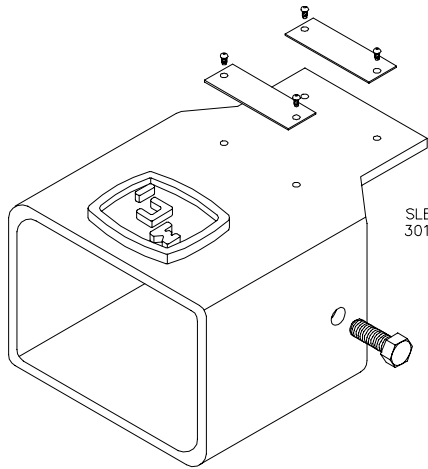
L1 600	GR 300	L3 600
100	L2 600	100

RG 60 DFC 107-350/500
RECEPTACLE GEAR MOUNT
1000 VOLTS AC 600 AMP.
CABLE: 350 / 500 MCM

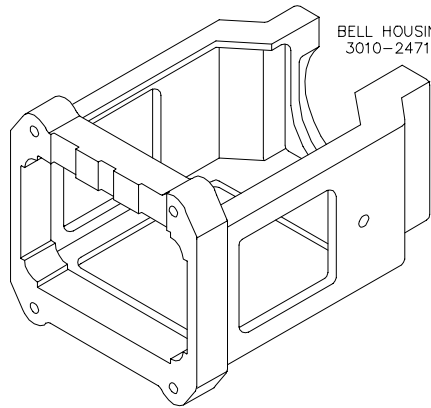


MINING CONTROLS INCORPORATED

P.O. BOX 1141 BECKLEY, W.V. 25801



SLEEVE ASSEMBLY
3019-23499-1 SA



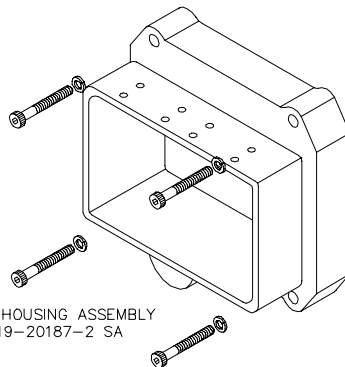
BELL HOUSING
3010-24719



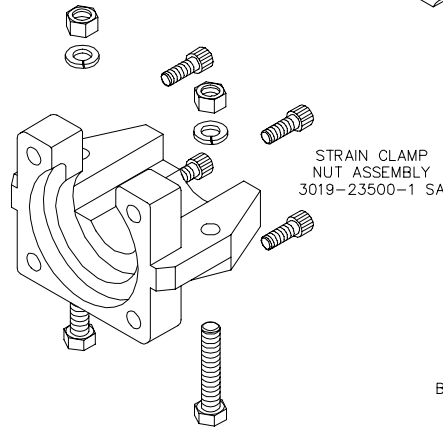
GROMMET
3018-20182



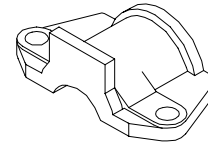
TOP HINGE ASSEMBLY
3019-20136-2 SA



FRONT HOUSING ASSEMBLY
3019-20187-2 SA



STRAIN CLAMP
NUT ASSEMBLY
3019-23500-1 SA



STRAIN CLAMP HALF
3010-23358-1

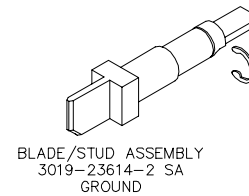


BLADE/STUD ASSEMBLY
3019-23954-1 SA
POWER

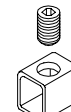
INSULATOR
3011-22968-2



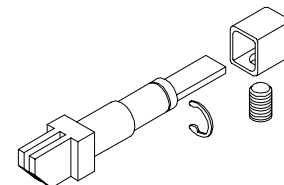
GROUND STRAP ASSEMBLY
3017-23664 SA



BLADE/STUD ASSEMBLY
3019-23614-2 SA
GROUND



BLADE/STUD ASSEMBLY
3019-23654-1 SA
PILOT



BLADE/STUD ASSEMBLY
3019-23954-1 SA
POWER

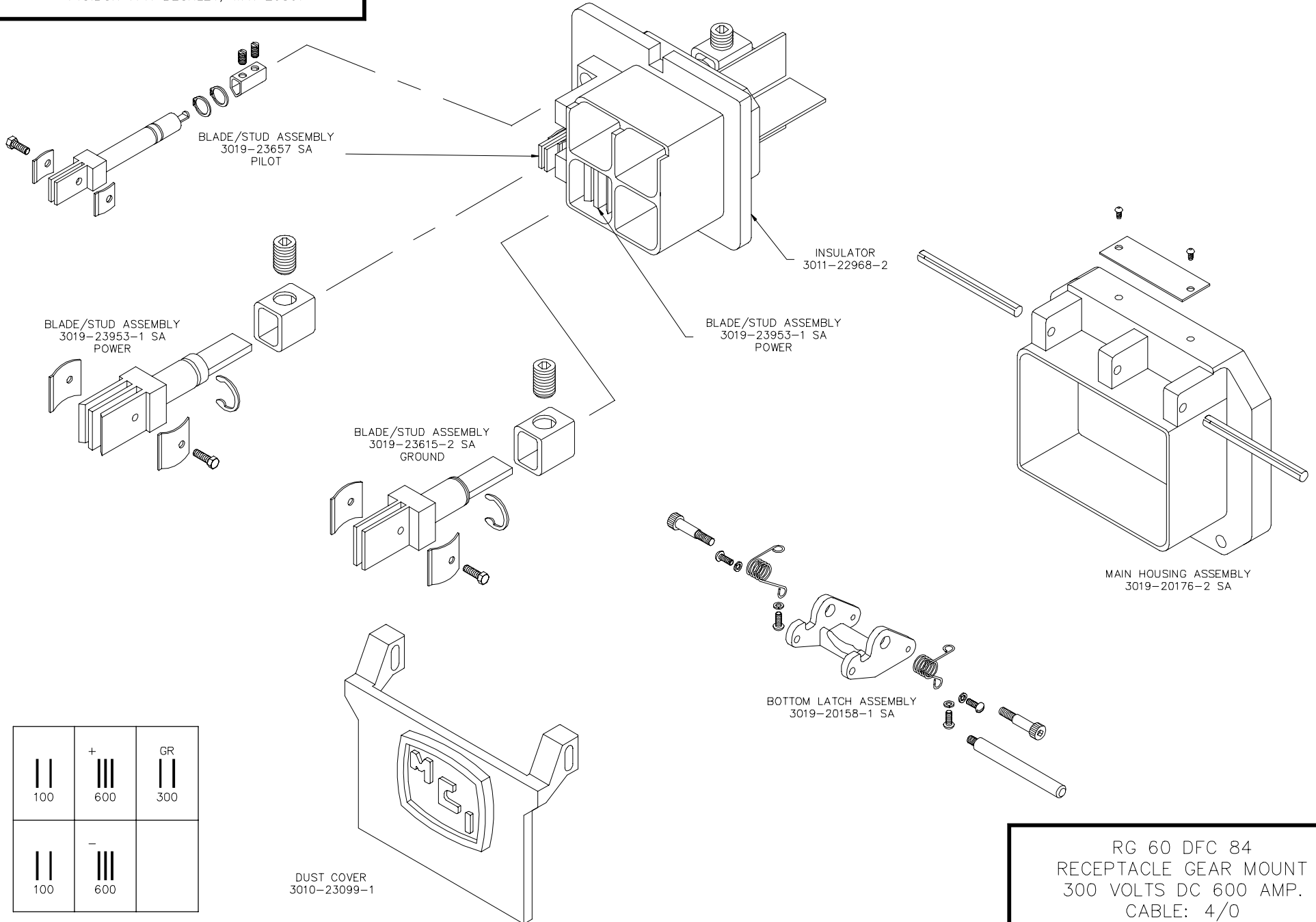
GR 300	+ 600	 100
	- 600	 100

PL 60 DFC 84
PLUG LINE MOUNT
300 VOLTS DC 600 AMP.
CABLE: 4/0 RD. - 4/0 FLT.



MINING CONTROLS INCORPORATED

P.O. BOX 1141 BECKLEY, W.V. 25801



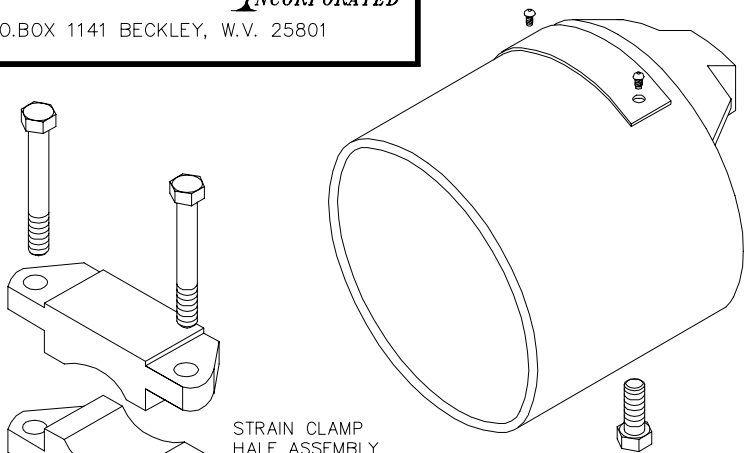
100	600	300
100	600	

RG 60 DFC 84
RECEPTACLE GEAR MOUNT
300 VOLTS DC 600 AMP.
CABLE: 4/0



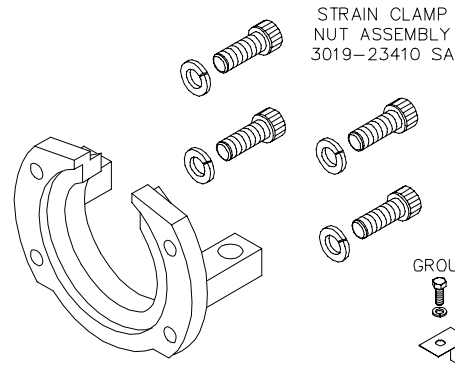
MINING CONTROLS INCORPORATED

P.O. BOX 1141 BECKLEY, W.V. 25801



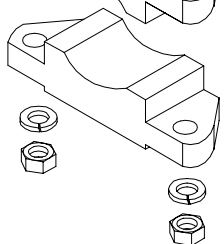
SLEEVE ASSEMBLY
3019-23409-1 SA

STRAIN CLAMP
HALF ASSEMBLY
3019-22367-1 SA

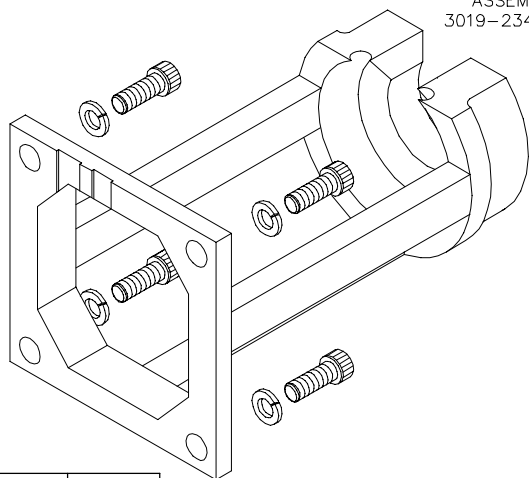


STRAIN CLAMP
NUT ASSEMBLY
3019-23410 SA

GROUND STRAP ASSEMBLY
3017-23988 SA



GROMMET
3018-20140



BELL HOUSING
ASSEMBLY
3019-23407 SA

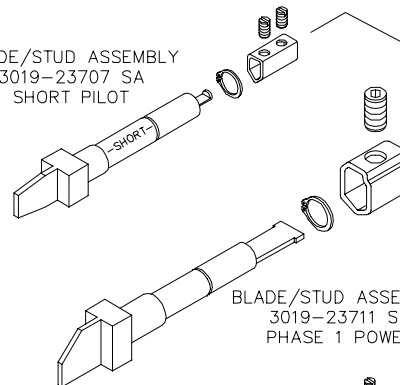
BLADE/STUD ASSEMBLY
3019-23712 SA
POWER AND GROUND

INSULATOR
3011-23396-1



TOP HINGE ASSEMBLY
3019-20136 SA

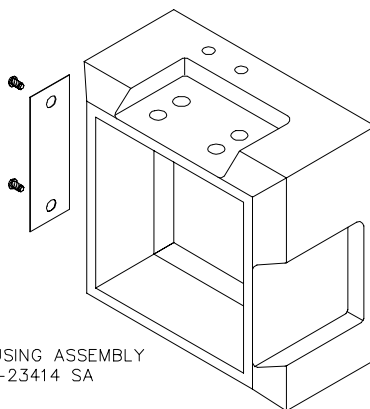
BLADE/STUD ASSEMBLY
3019-23707 SA
SHORT PILOT



BLADE/STUD ASSEMBLY
3019-23711 SA
PHASE 1 POWER

BLADE/STUD ASSEMBLY
3019-23712 SA
POWER AND GROUND

GR 300		L1 300
L3 300	100 100	L2 300



FRONT HOUSING ASSEMBLY
3019-23414 SA

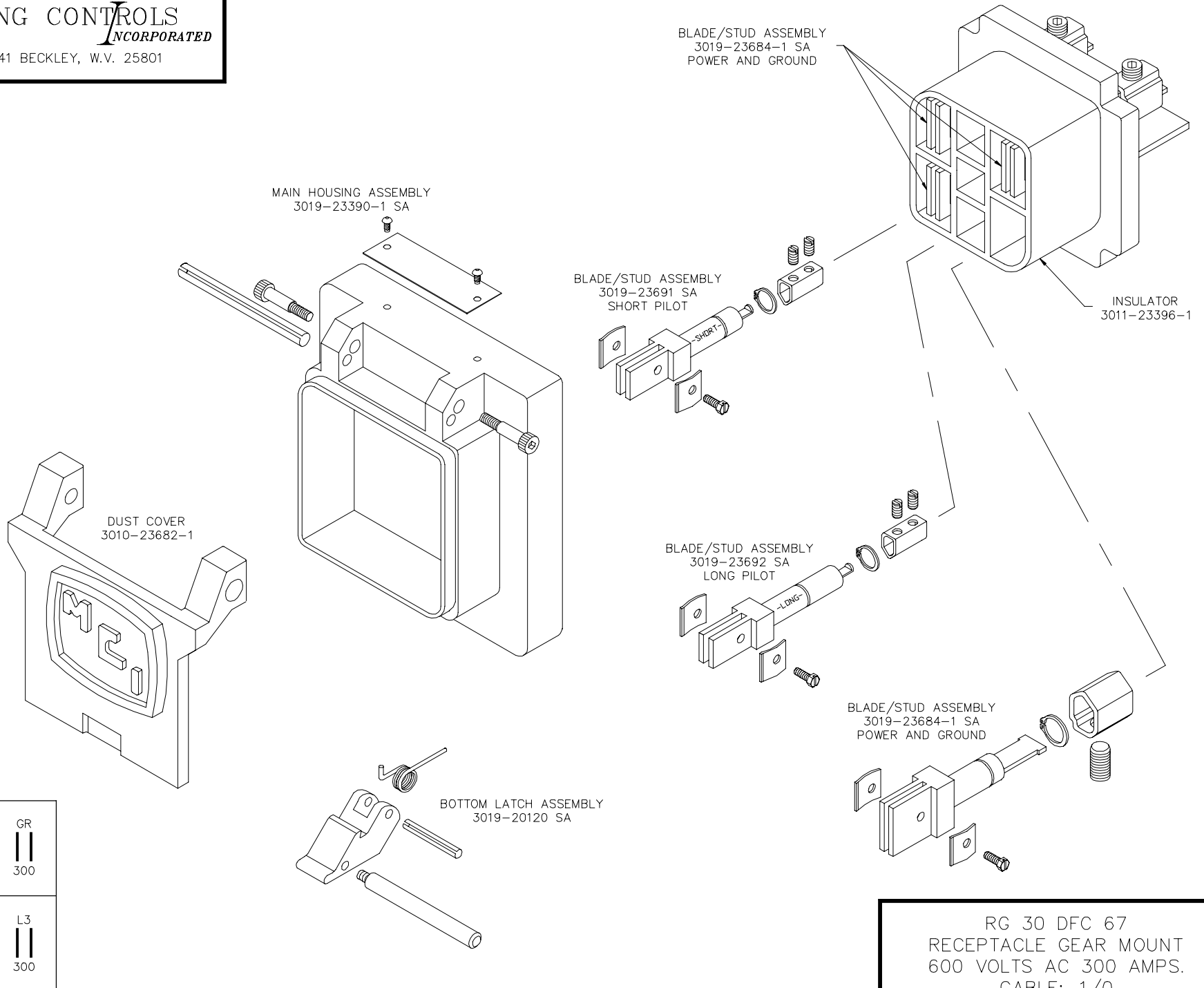
BLADE/STUD ASSEMBLY
3019-23708 SA
LONG PILOT

PL 30 DFC 67
PLUG LINE MOUNT
600 VOLTS AC 300 AMPS.
CABLE: 1/0 RD.- #1 FLT.



MINING CONTROLS
INCORPORATED

P.O. BOX 1141 BECKLEY, W.V. 25801

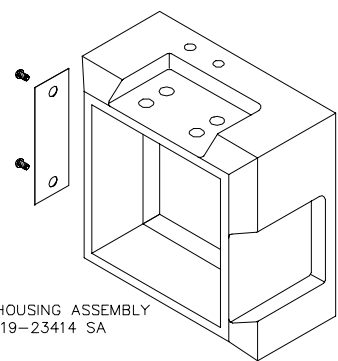
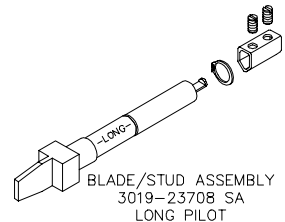
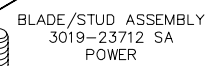
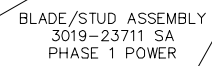
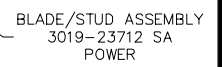
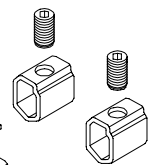
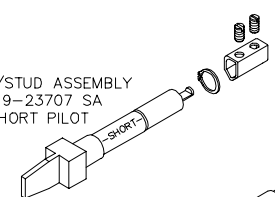
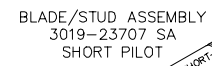
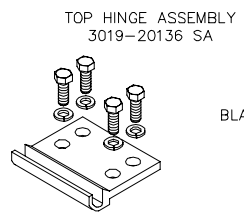
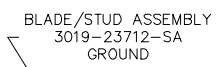
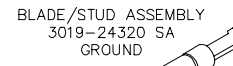
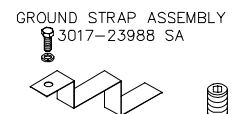
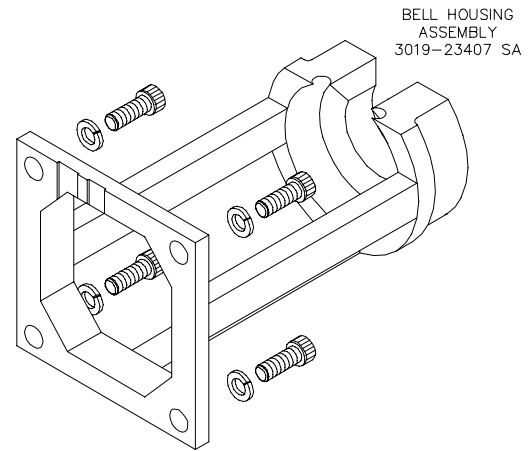
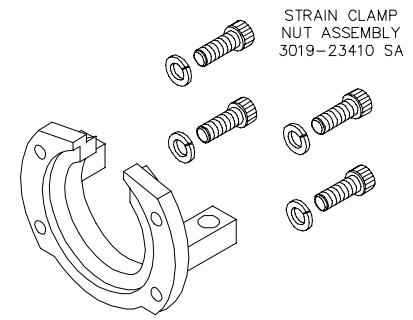
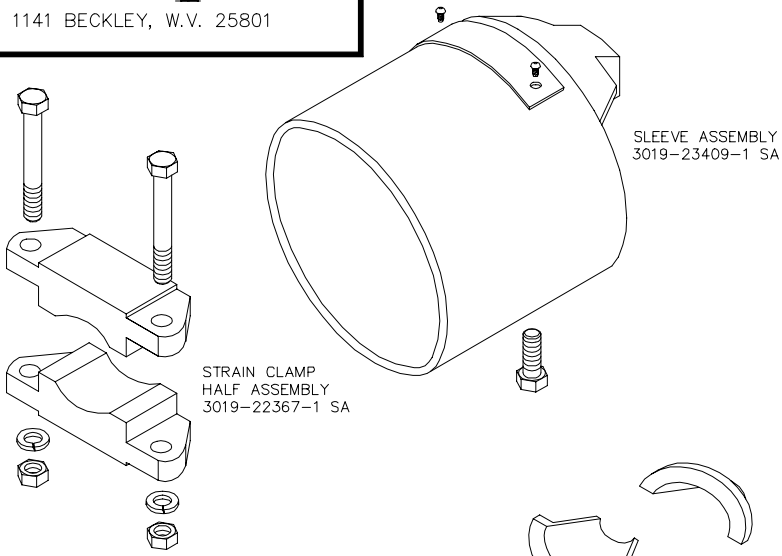


RG 30 DFC 67
RECEPTACLE GEAR MOUNT
600 VOLTS AC 300 AMPS.
CABLE: 1/0



MINING CONTROLS INCORPORATED

P.O. BOX 1141 BECKLEY, W.V. 25801



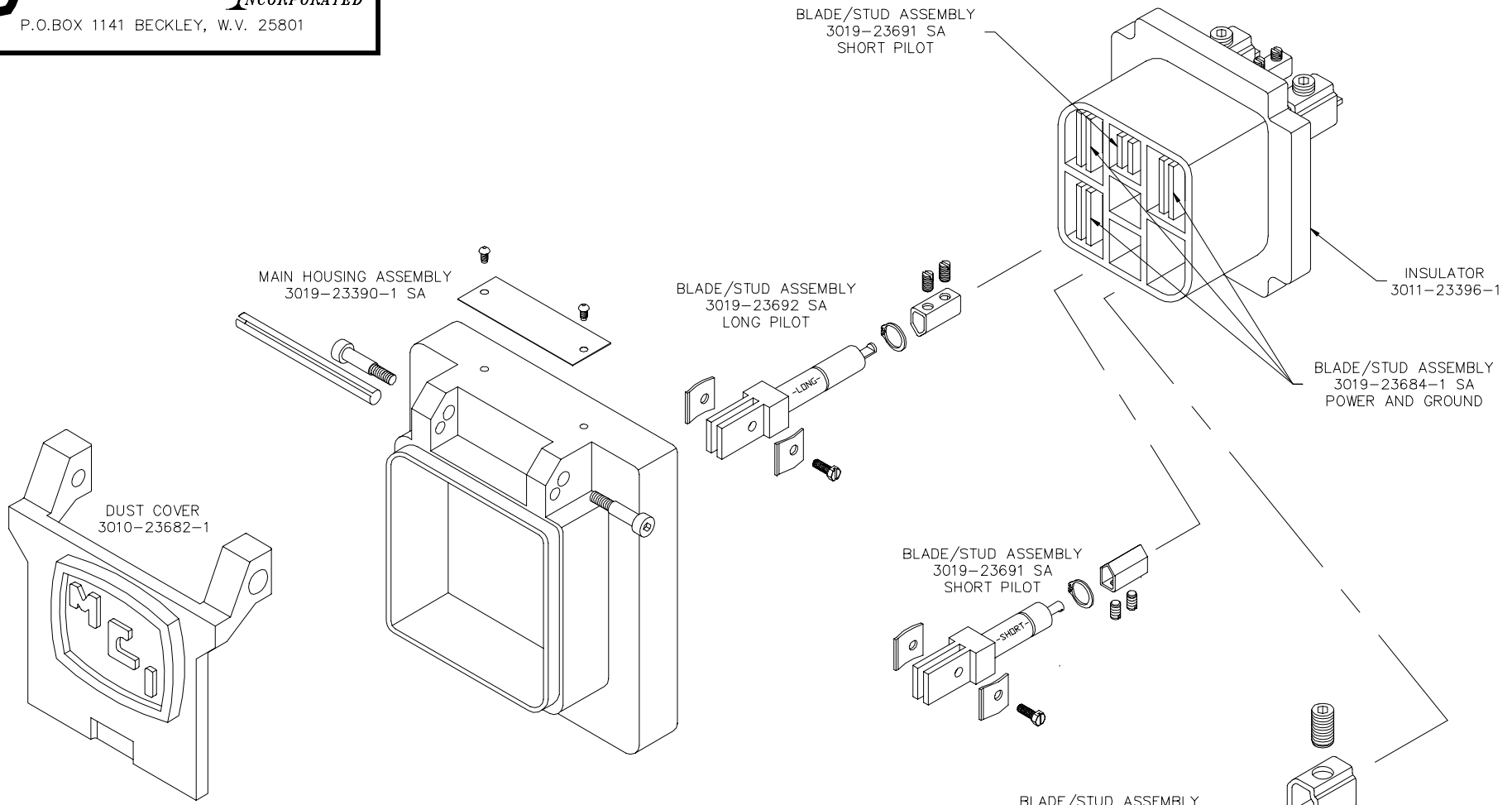
GR 300	SG 100	L1 300
L3 300	 100	L2 300
	 100	

PL 30 DFC 125
PLUG LINE MOUNT
WITH GROUND & SAFETY GROUND
600 VOLTS AC 300 AMP.
CABLE: 1/0 RD.-1 FLT.



MINING CONTROLS
INCORPORATED

P.O. BOX 1141 BECKLEY, W.V. 25801



L1 300	SG 100	GR 300
L2 300	 100	L3 300
	 100	

RG 30 DFC 125
RECEPTACLE GEAR MOUNT
WITH GROUND & SAFETY GROUND
600 VOLTS AC 300 AMP.
CABLE: 1/0