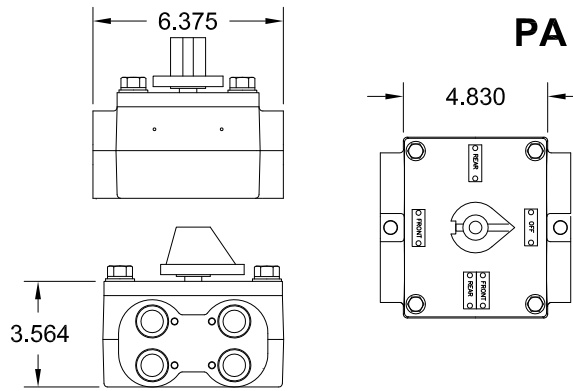




**Mine Lighting Systems
Mining Controls Inc.**
P.O. Box 1141
Beckley, WV 25802
304-252-6243

larry.rowley@elginindustries.com
www.minelinesystems.com

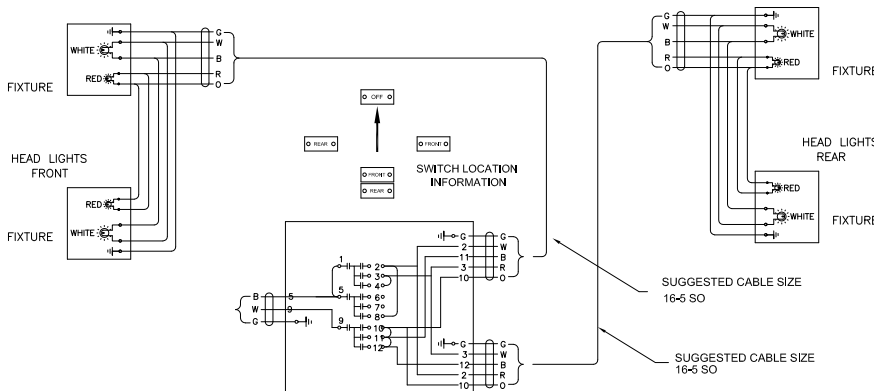
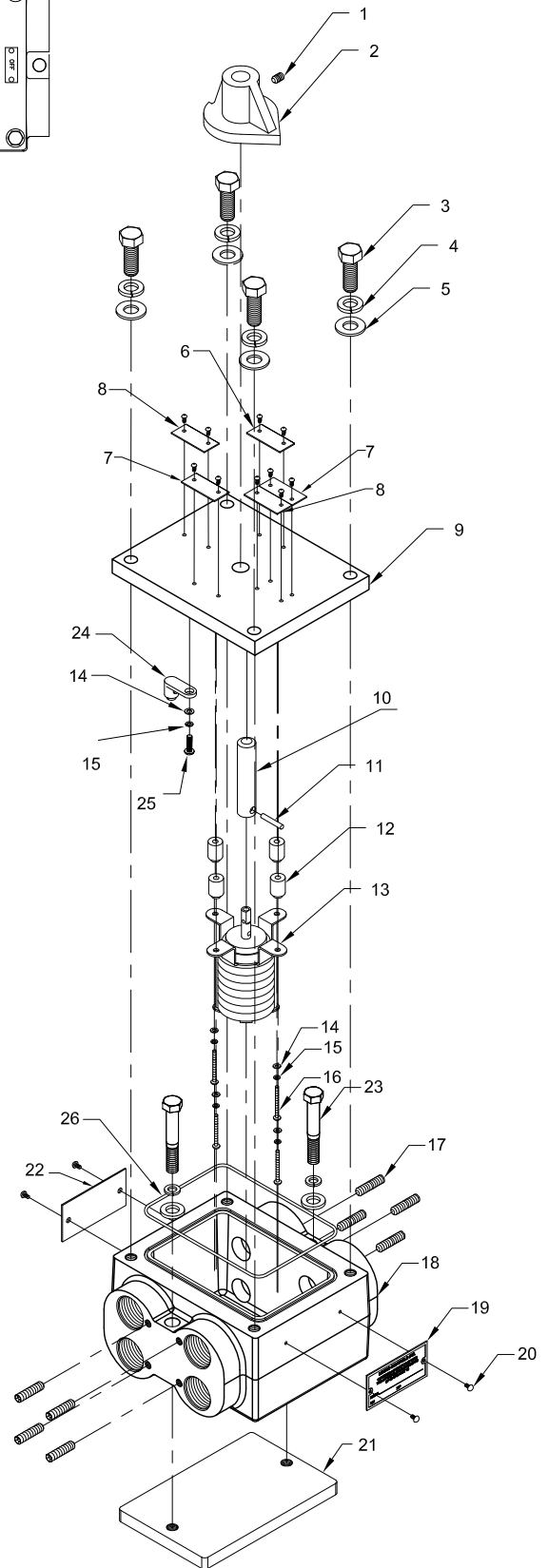


**XP MODEL NO. 35400
XP APPROVAL NO. 3844-1
PA APPROVAL NO. 1185-92**

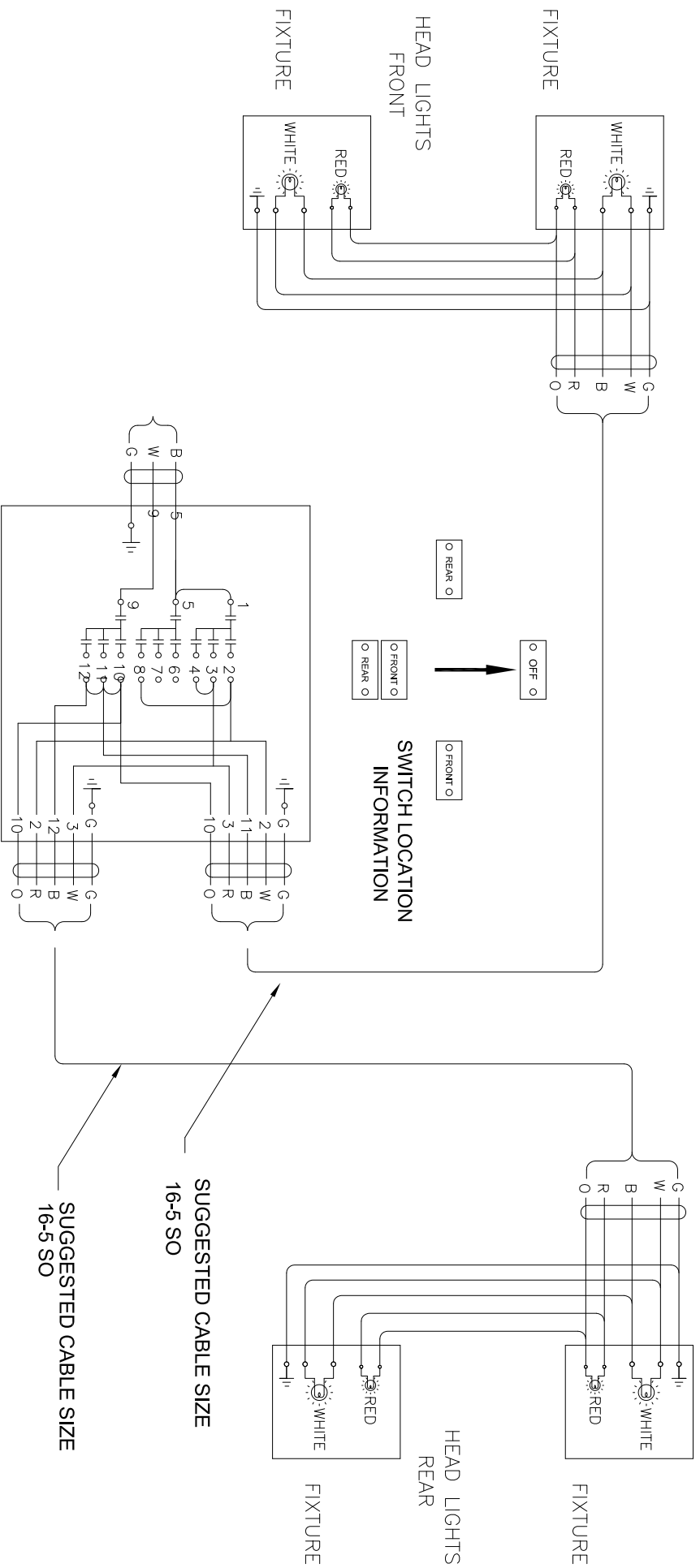
7015-35400-77

Switch Box With Opening For 8 EA.
1 1/8" - 12 Packing Glands On-Off-Front-Rear

Item	Qty.	Part Number	Description
1	1	1041-50020-1	Set Screw 1/4"-20 x 1/4"
2	1	2010-20448	Alum. Switch Knob
3	4	1041-50006-4	3/8"-16 x 1 1/4" Hex Bolt
4	6	1041-50008	3/8" Lock Washer
5	6	1041-50007	3/8" Flat Washer
6	1	1044-20110-3	Tag Off
7	2	1044-20110-15	Tag Front
8	2	1044-20110-16	Tag Rear
9	1	2010-29950-3	Cover for On-Off-On Switch
10	1	5015-20229-12	Standard Switch Box Shaft
11	1	1041-55047	16-3/33x7/16
12	4	2010-33695	1/4" RD. Standoff With Swage
13	1	1022-31570	Switch 4 Position
14	5	1041-50041	#6 Flat Washer
15	5	1041-50042	#6 Lock Washer
16	1	1041-50272	6-32 x 5/8" Screw
17	8	1041-50009-3	Set Screw 1/4-20 x 1"
18	1	2010-35403-4	Alum. Housing
19	1	1044-20011	Certification Tag
20	14	1041-50005	Drive Screw
21	1	2022-35418-1	Weld Plate
22	1	1044-20038	PA Tag
23	2	1041-50006-9	3/8" x 3" Hex Bolt
24	1	1035-20281-3	Ground Lug </td
25	1	1041-50038-14	6-32 x 3/8" RD HD Screw
26	1	1033-35436-1	O-Ring



SUGGESTED WIRING
FOR WHITE & RED LED SYSTEM



SCALE	DATE DRAWN	DRAWN BY	CHECKED BY
1=1	LWR	5-24-12	

ALL DIMENSIONS IN INCHES.
TOLERANCES UNLESS OTHERWISE SPECIFIED:

DECIMALS	. XXX	=	± .005
FRACTIONS	. XX	=	± .015
ANGLES	=	=	± 1/32°
		=	± 1/2°

MCI MINING CONTROLS INCORPORATED

P.O. BOX 1141 BECKLEY, W.V. 25801

TITLE	DWG. SIZE	DWG. NO.	REV.
SUGGESTED WIRING FOR WHITE & RED LED SYSTEM	A	7015-35400-77-LED WD	A