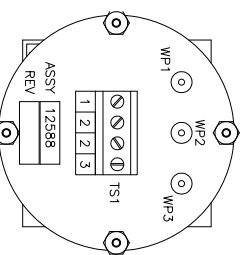
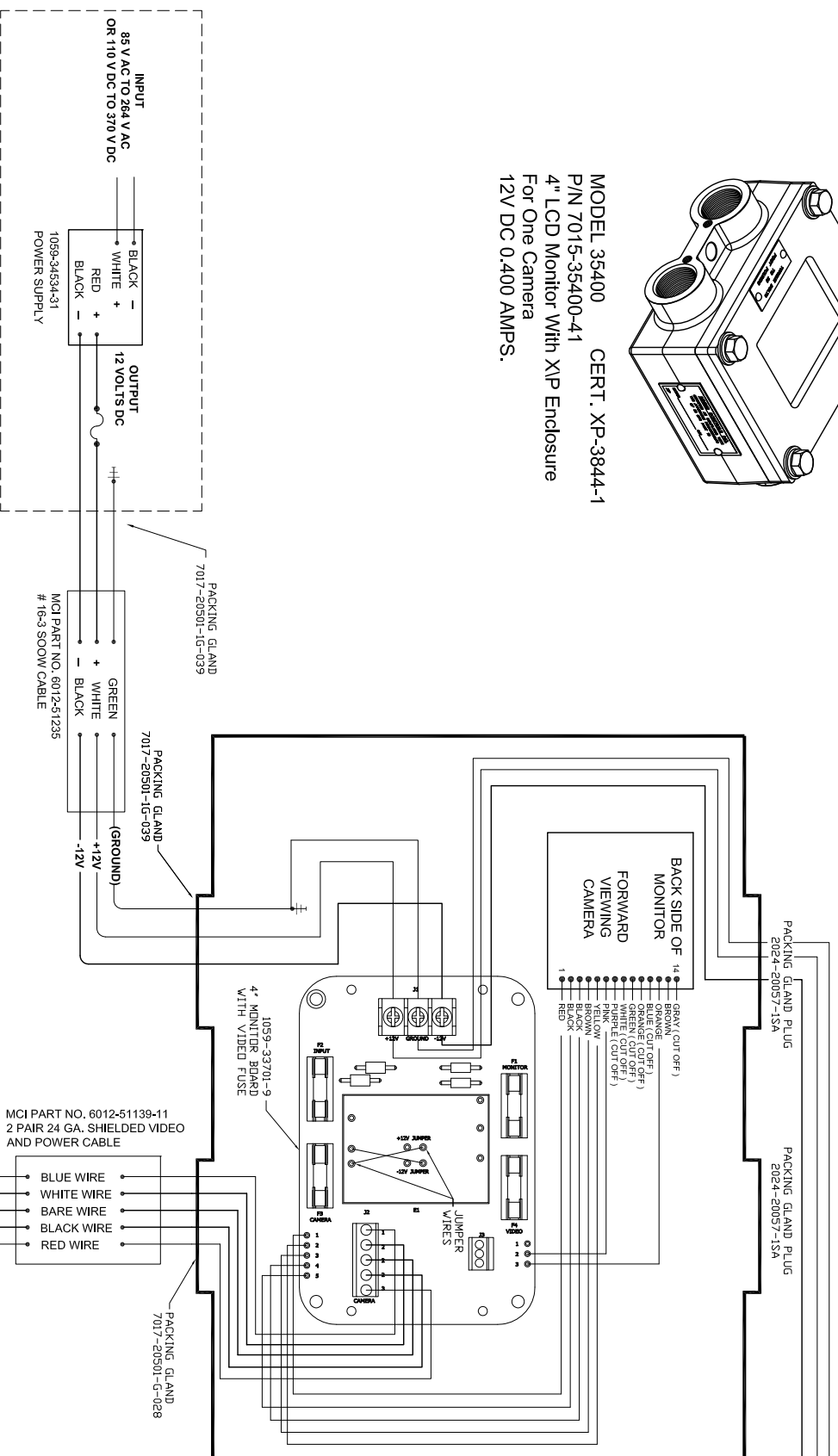
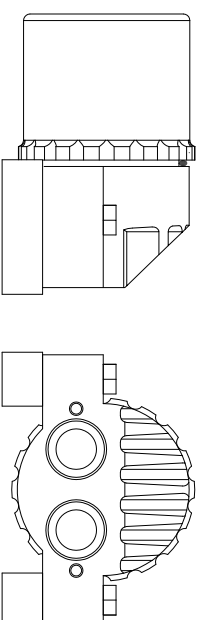
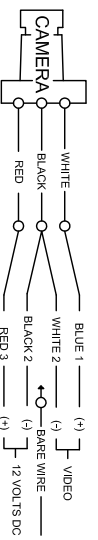


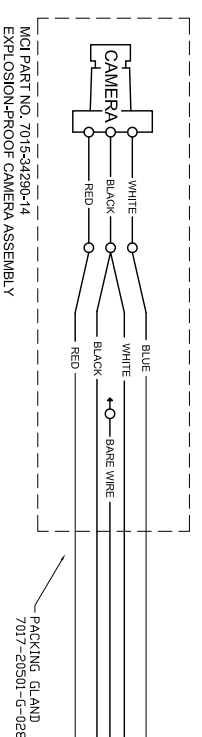
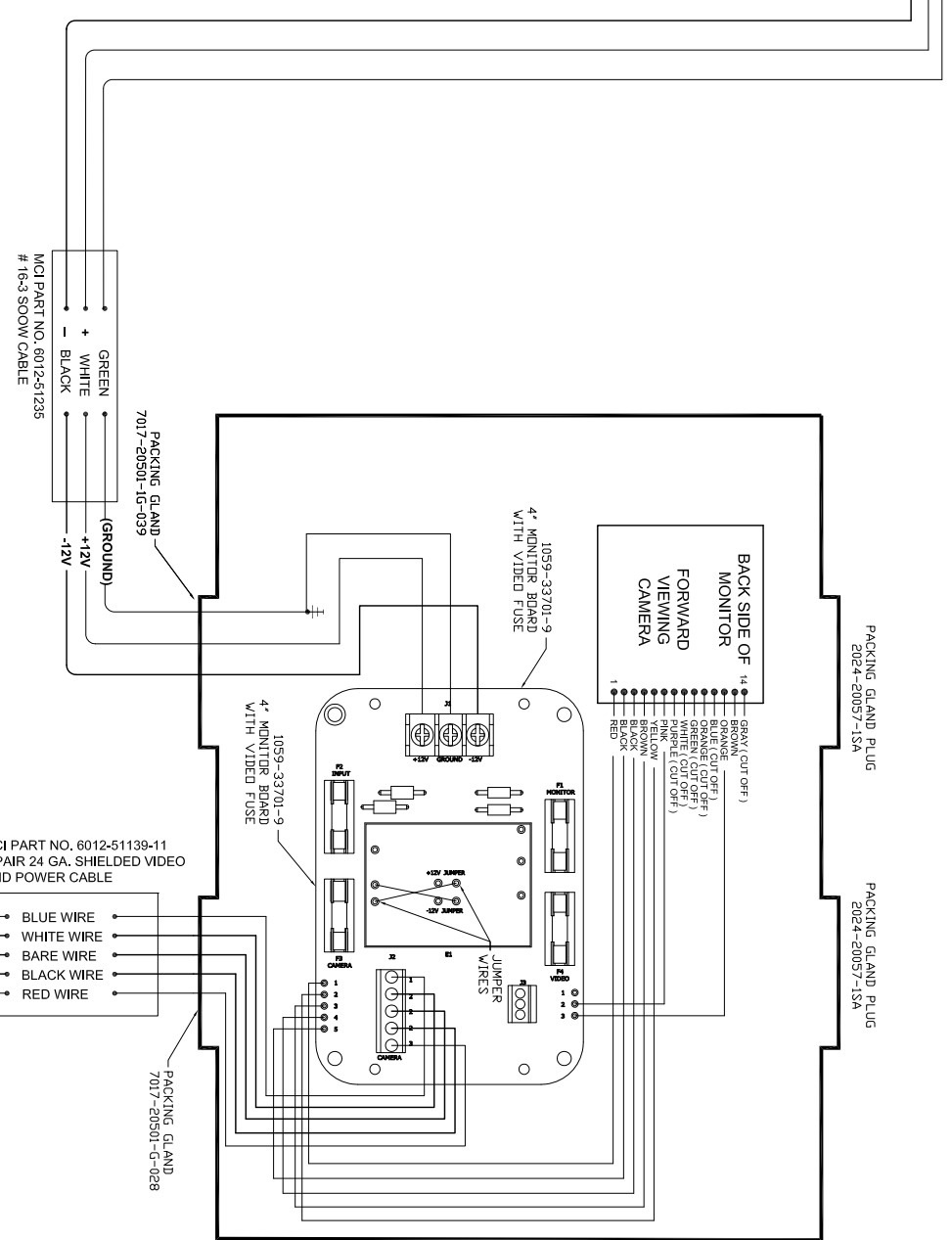
MODEL 35400 CERT. XP-3844-1
 P/N 7015-35400-41
 4" LCD Monitor With XIP Enclosure
 For One Camera
 12V DC 0.400 AMPS.



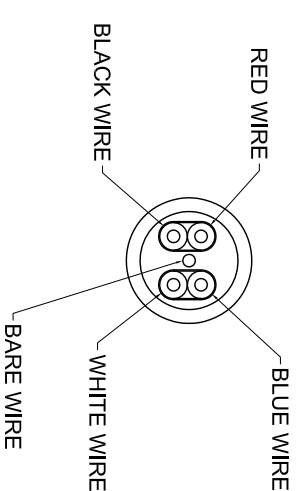
WIRING: BACK VIEW OF CAMERA
 1 = VIDEO / 2 = COM / 3 = 12 VOLT DC. (+)



MODEL MCI50XP CERT. XP 3938-0 & -1
 P/N 7015-34290-14
 EXPLOSION-PROOF CAMERA ASSEMBLY
 600 TV LINES 0.003 LUX 12VDC @ 100mA



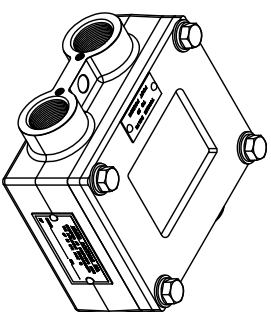
6012-51139-11
 2 PAIR-24 GA. SHIELDED VIDEO AND POWER CABLE



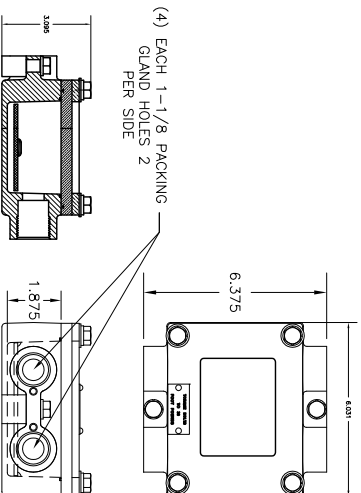
TOTAL SYSTEM REQUIREMENTS
 12 VOLT DC 2.2 AMPS



Mine Lighting Systems
 Mining Controls Inc.
 P. O. Box 1141
 Beckley, WV 25802
 304-252-6243
 larry.rowley@mlsindustries.com
 www.minesystems.com



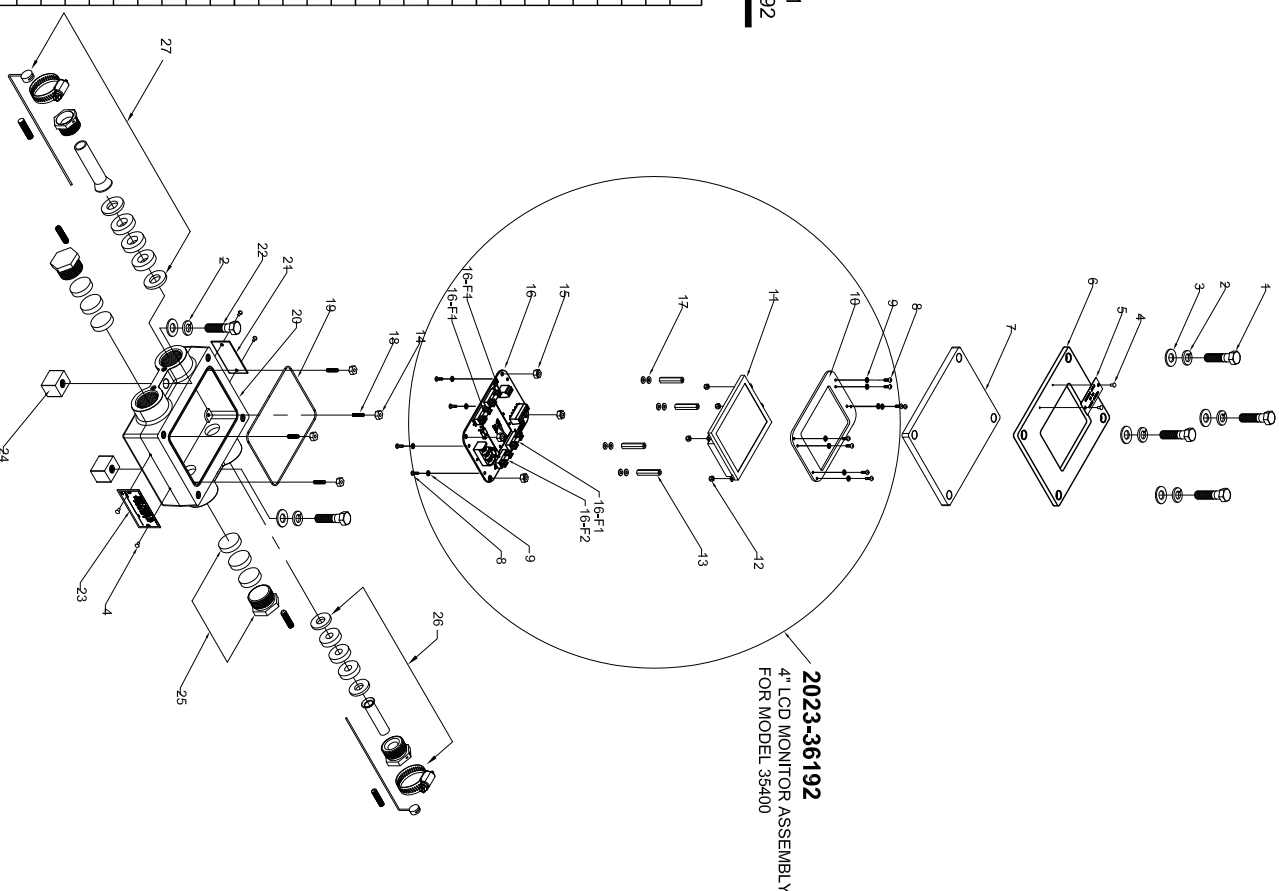
FINAL ASSEMBLY



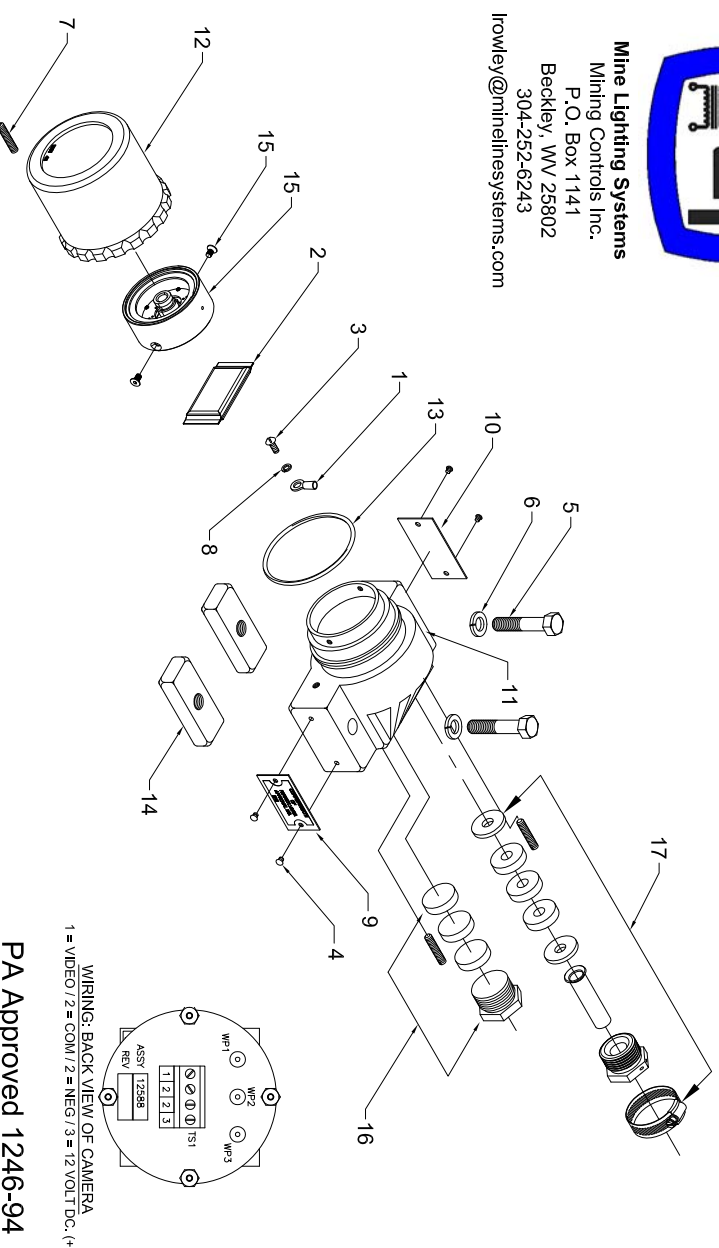
XP MODEL NO. 35400
 XP APPROVAL NO. 3844-1
 PA APPROVAL NO. 1185-92
 7015-35400-41

4" LCD MONITOR CONN BOX MODEL 35400

Item	Qty.	Part Number	Description
1	4	1041-50006-19	3/8"-16 X 1-3/8" HEX HEAD BOLT
2	6	1041-50008	3/8" LOCK WASHER
3	6	1041-50007	3/8" FLAT WASHER
4	6	1041-50005	# 4 X 3/16" DRIVE SCREW
5	1	1044-33856-1	TORQUE TAG
6	1	2022-35399-1	MACHINED RETAINER
7	1	2013-35401	CLEAR LEXAN LENS
8	12	1041-50225-2	M3 X 8MM BUTTON HEAD SOCKET SCREW
9	12	1041-50227	M3 INTERNAL TOOTH LOCK WASHER
10	1	2010-33701-2	4" MONITOR FACE PLATE
11	1	1059-34485-24	4" LCD MONITOR
12	4	1041-50226-1	M3 NYLON INSERT HEX LOCKNUT
13	4	1041-50239-8	6MM X 31MM HEX STANDOFF
14	4	1041-50039	# 6-32 UNC HEX SS NUT
15	4	1041-50039-1	# 6-32 HEX NYLON LOCK NUT
16	1	1059-33701-9	4" MONITOR BASE PLATE WITH VIDEO FUSE
16-F1	3	1023-34286-5	1/2 AMP FUSE CAMERA
16-F2	1	1023-34649-1,6	1.6 AMP FUSE MONITOR
17	8	1041-50041	# 6 FLAT WASHER
18	4	1041-50218	# 6-32 X 3/4" SOCKET SET SCREW
19	1	1033-35436-1	O-RING
20	1	2010-35403	HOUSING
21	1	1044-20038	PA TAG
22	2	1041-50006-4	3/8"-16 X 1-1/4" HEX HEAD BOLT
23	1	1044-20011	CERTIFICATION TAG
24	2	2022-35418	WELD PAD
25	2	2024-20057-1SA	1-1/8"-1/2 STEEL PLUG
26	1	7017-20501-1-G-039	PACKING GLAND ASSEMBLY
27	1	7017-20501-G-028	PACKING GLAND ASSEMBLY

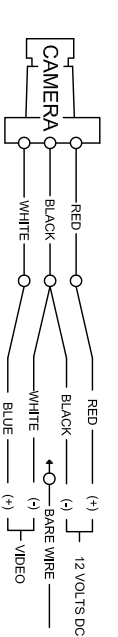
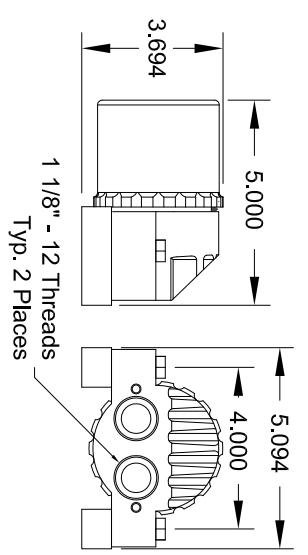


Mine Lighting Systems
 Mining Controls Inc.
 P. O. Box 1141
 Beckley, WV 25802
 304-252-6243
 rowley@mlsindustries.com



CAMERA MODEL MCI 50 XP EXPLOSION PROOF WITH BLACK & WHITE HIGH RESOLUTION 600 LINES 0.0001 LUX LOW LIGHT CAMERA, MIRROR IMAGE OPTION, GLAND FOR TWO PAIR CABLE AND GLAND PLUG COMPLETE

Item	Qty.	Part Number	Description
1	1	1035-20302-3	# 10 Ring Terminal
2	1	1038-33991	Desiccant Bag
3	1	1041-50002-15	# 8-32 X 1/4" Round Head Screw
4	4	1041-50005	# 4 X 3/16" Drive Screw
5	2	1041-50006-6	3/8"-16 X 1-3/4" Hex Head Bolt
6	2	1041-50008	3/8" Lock Washer
7	1	1041-50009-3	1/4" 20 X 1" SS Set Screw
8	1	1041-50031	# 8 Lock Washer
9	1	1044-20038	PA Tag
10	1	1044-31678-2	Certification Tag
11	1	2010-31678H-4A	Aluminum Housing
12	1	2013-35120-1A	Short Aluminum Lens Assembly
13	1	2019-31137-1	2-3/4" Silicone O-Ring
14	2	2022-32974	3/4" Mounting Pad
15	1	2023-35440-2	Camera Assembly
16	1	2024-20057-1SA	Steel Plug Assembly
17	1	7017-20501-G-028	Packing Gland Assembly



TDS-7030-34290-14 REV-B 1-30-13

Mining Controls Inc. 304-252-6243 www.minesystems.com

TDS-7015-35400-41 REV-F 3-31-14

SHEET 2 OF 2

MINING CONTROLS LLC
 P.O. BOX 1141 BECKLEY, WV, 25802

WIRING DIAGRAM
 4" LCD MONITOR

WD 7015-35245-10