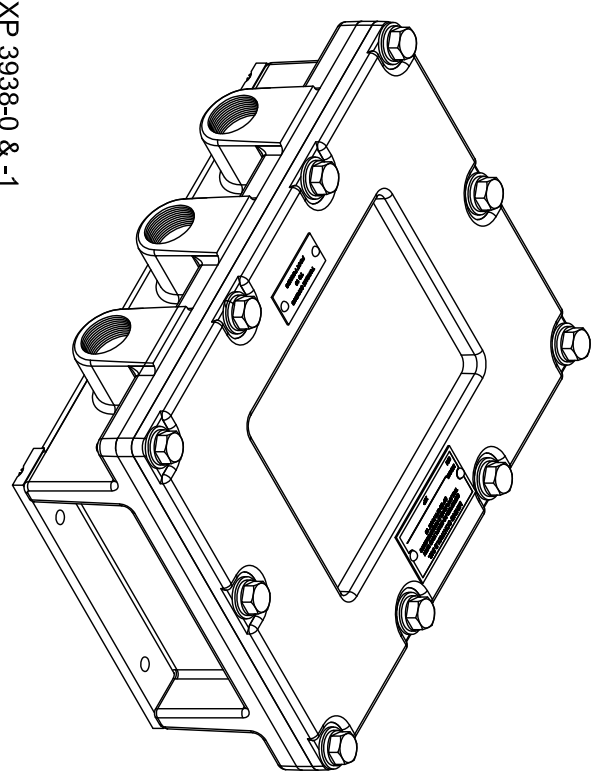
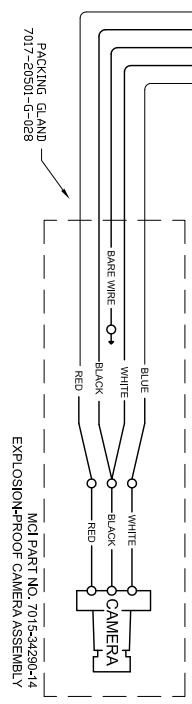
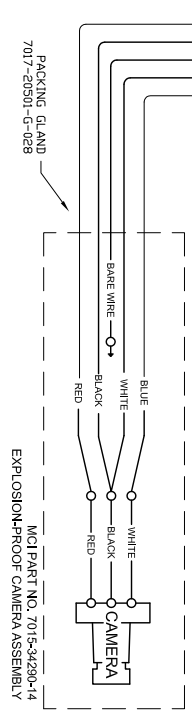
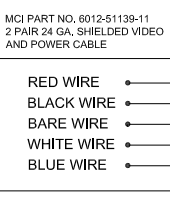
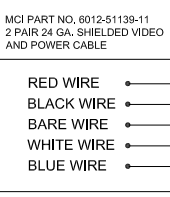
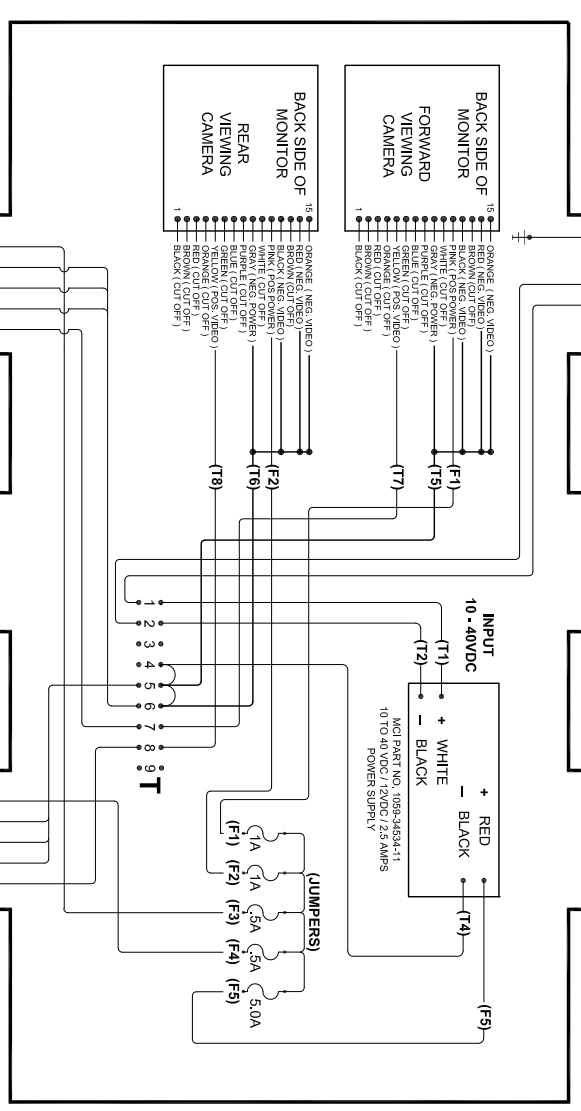
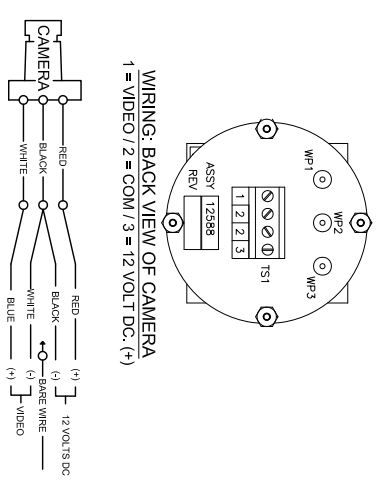
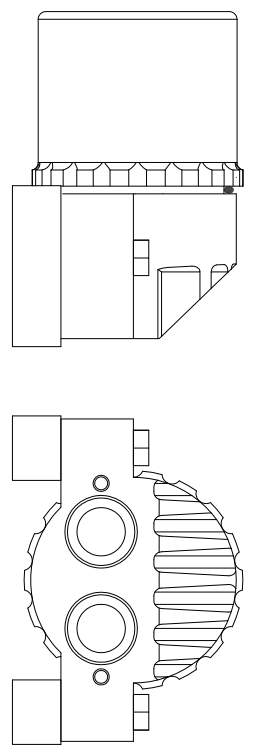


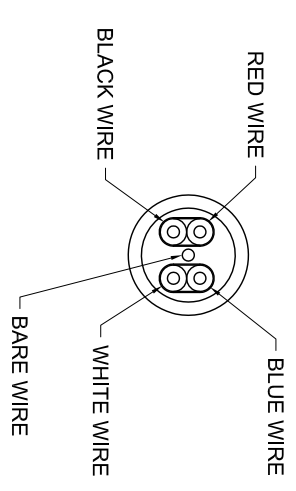
MODEL 344514 CERT. 18-XP A050010-0
P/N 7015-34451-15
DUAL 4" LCD Monitor With XIP Enclosure For Two Camera
PACKING GLAND PLUG 2024-20057-15A
PACKING GLAND PLUG 2024-20057-15A



MODEL MCI50XP CERT. XP 3938-0 & -1
P/N 7015-34290-14
EXPLOSION-PROOF CAMERA ASSEMBLY
600 TV LINES 0.003 LUX 12VDC @ 100mA



6012-51139-11
2 PAIR-24 GA. SHIELDED VIDEO AND POWER CABLE



TOTAL SYSTEM REQUIREMENTS
12 VOLT DC 2.2 AMPS

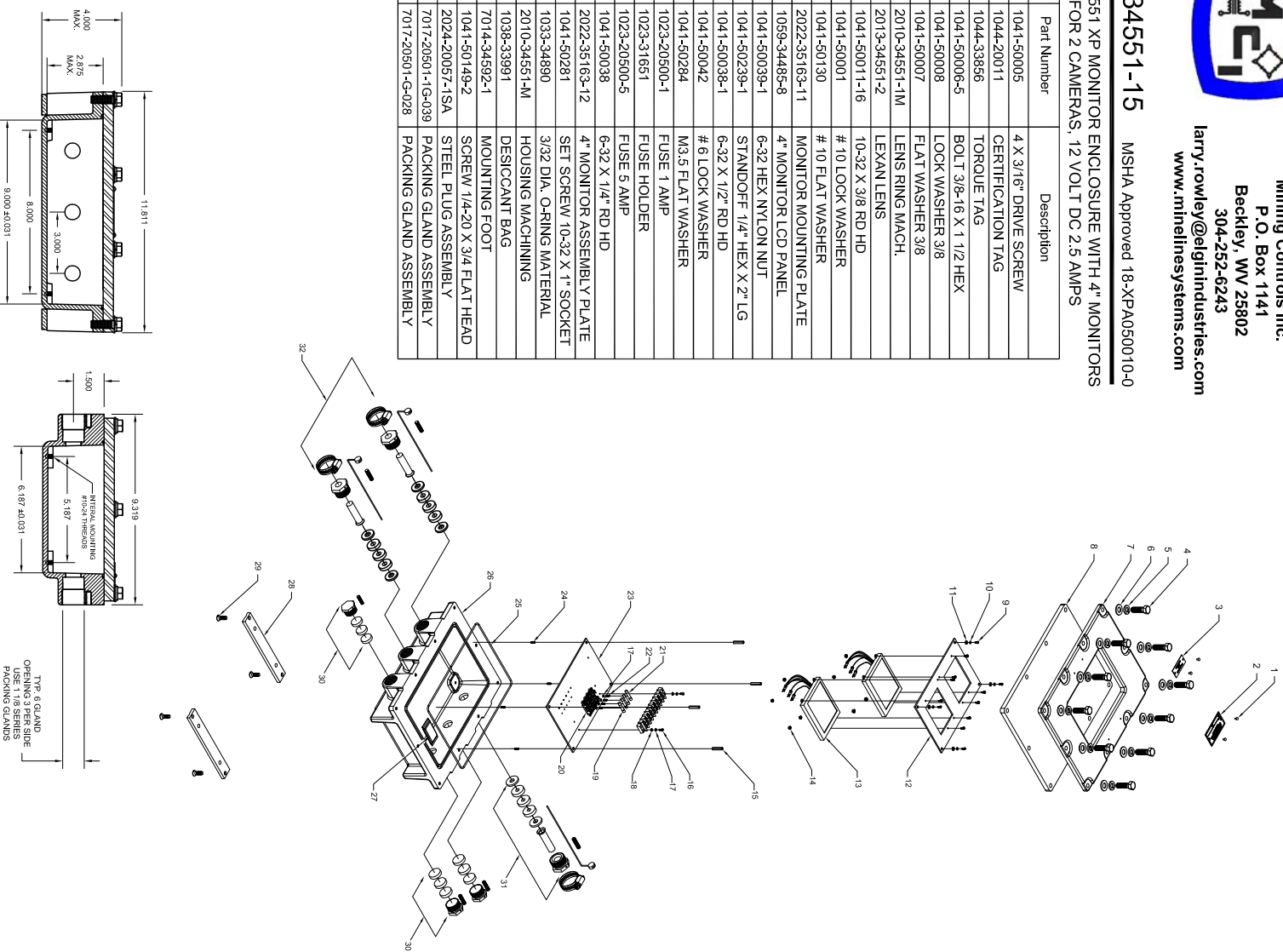


Mine Lighting Systems
Mining Controls Inc.
P.O. Box 1141
Beckley, WV 25802
304-252-6243
larry.rowley@eijnindustries.com
www.mineinlightsystems.com

7015-34551-15

MSHA Approved 18-XP/PA050010-0
MODEL 34551 XP MONITOR ENCLOSURE WITH 4" MONITORS
FOR 2 CAMERAS, 12 VOLT DC 2.5 AMPS

Item	Qty.	Part Number	Description
1	4	1041-50005	4 X 3/16" DRIVE SCREW
2	1	1044-20011	CERTIFICATION TAG
3	1	1044-33856	TORQUE TAG
4	10	1041-50006-5	BOLT 3/8-16 X 1 1/2 HEX
5	10	1041-50008	LOCK WASHER 3/8
6	10	1041-50007	FLAT WASHER 3/8
7	1	2010-34551-1M	LENS RING MACH.
8	1	2013-34551-2	LEXAN LENS
9	4	1041-50011-16	10-32 X 3/8 RD HD
10	4	1041-50001	# 10 LOCK WASHER
11	4	1041-50130	# 10 FLAT WASHER
12	1	2022-35163-11	MONITOR MOUNTING PLATE
13	2	1059-34485-8	4" MONITOR LCD PANEL
14	8	1041-50039-1	6-32 HEX NYLON NUT
15	4	1041-50239-1	STANDOFF 1/4" HEX X 2" LG
16	2	1041-50038-1	6-32 X 1/2" RD HD
17	6	1041-50042	# 6 LOCK WASHER
18	2	1041-50284	M3.5 FLAT WASHER
19	1	1023-20500-1	FUSE 1 AMP
20	4	1023-31651	FUSE HOLDER
21	1	1023-20500-5	FUSE 5 AMP
22	4	1041-50038	6-32 X 1/4" RD HD
23	1	2022-35163-12	4" MONITOR ASSEMBLY PLATE
24	4	1041-50281	SET SCREW 10-32 X 1" SOCKET
25	33IN	1033-34890	3/32 DIA. O-RING MATERIAL
26	1	2010-34551-1M	HOUSING MACHINING
27	1	1038-33991	DESICCANT BAG
28	2	1014-34592-1	MOUNTING FOOT
29	4	1041-50149-2	SCREW 1/4-20 X 3/4 FLAT HEAD
30	3	2024-20057-1SA	STEEL PLUG ASSEMBLY
31	1	1017-20501-1G-039	PACKING GLAND ASSEMBLY
32	2	1017-20501-G-028	PACKING GLAND ASSEMBLY

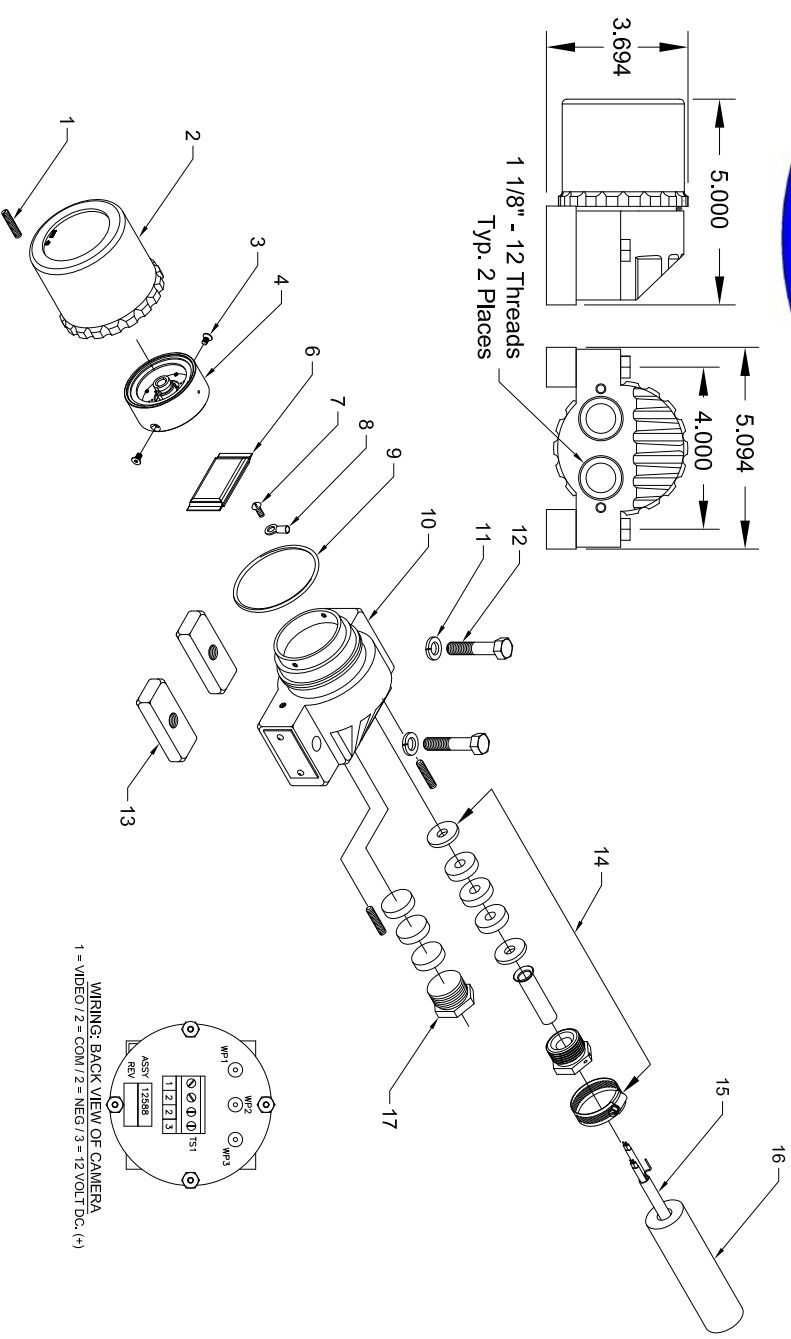


Mine Lighting Systems
Mining Controls Inc.
P.O. Box 1141
Beckley, WV 25802
304-252-6243
larry.rowley@eijnindustries.com
www.mineinlightsystems.com

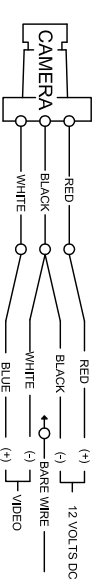
7015-34290-14

CAMERA MODEL MC150XP EXPLOSION PROOF WITH BLACK & WHITE 600 TV LINES RESOLUTION 0.0003 LUX LOW LIGHT CAMERA, WITH 3.6 mm LENS 12VDC 100mA

PA Approved 1246-94
MSHA Approved XP 3938-0 & -1



Item	Qty.	Part Number	Description
1	1	1041-50009-3	1/4" - 20 Locking Screw
2	1	2013-35120-1A	Alum. Lens Housing
3	2	1041-50002-17	8 - 32 X 3/8" Flat Head Screw
4	1	2023-35440-2	Camera Assembly
6	1	1038-33991	Desiccant Bag
7	1	1041-50002-15	8 - 32 Round Head Screw
8	1	1035-20302-3	Round Terminal Lug
9	1	2019-3137-1	O-Ring
10	1	2010-31678H-A	Alum. Housing
11	2	1041-50008	3/8" Lock Washer
12	2	1041-50006-6	Bolt 3/8"-16 X 1-3/4"
13	2	2022-32974	Mounting Foot
14	1	7017-20501-G-028	Packing Gland Assembly
15	36	6012-51139-11	2 Pair 24 GA. Shielded Cable
16	35	6013-51135	1/2" Conduit Hose
17	1	2024-20057-1SA	Steel Plug Assembly



RESOLUTION = 600 TV LINES
AUTO GAIN & 10-BIT DSP
MIN. ILLUMINATION = 0.0003 Lux @ F1.2
IRIS CONTROL = AUTO
LENS = 3.6 mm
POWER = 12V DC @ 100mA

Mining Controls Inc. 304-252-6243 www.mineinlightsystems.com

SHEET 2 OF 2

TDS 7030-34290-14 02-09-2009

DATE DRAWN	DRAWN BY	CHECKED BY	PART NUMBER	REV.
8-23-2011	RAJ		WD 7015-35245-14	A

MINE LIGHTING SYSTEMS
INCORPORATED
P.O. BOX 1141 BECKLEY, WV, 25801

MINING CONTROLS
WIRING DIAGRAM
4" LCD MONITOR

TITLE