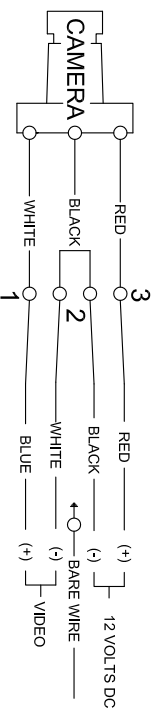
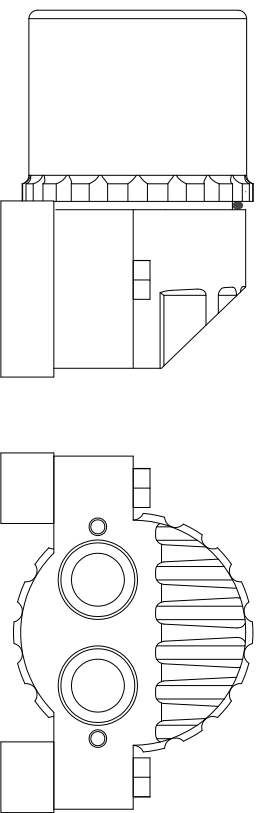


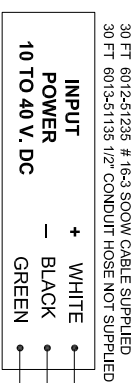
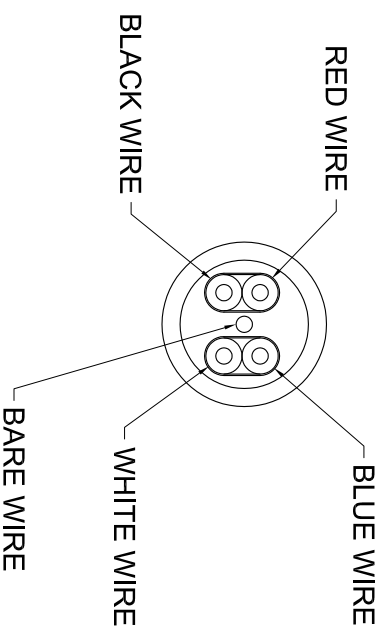
WIRING: BACK VIEW OF CAMERA
 1 = VIDEO / 2 = COM / 3 = 12 VOLT DC. (+)



MODEL MC150XP BRASS CERT. XP 3938-0 & -1
 P/N 7015-34290-20
 CAMERA EXPLOSION PROOF WITH BLACK & WHITE HIGH
 RESOLUTION 600 LINES 0.0003 LUX LOW LIGHT CAMERA,
 FORWARD VIEWING ONLY GLAND FOR TWO PAIR CABLE AND
 GLAND PLUG COMPLETE

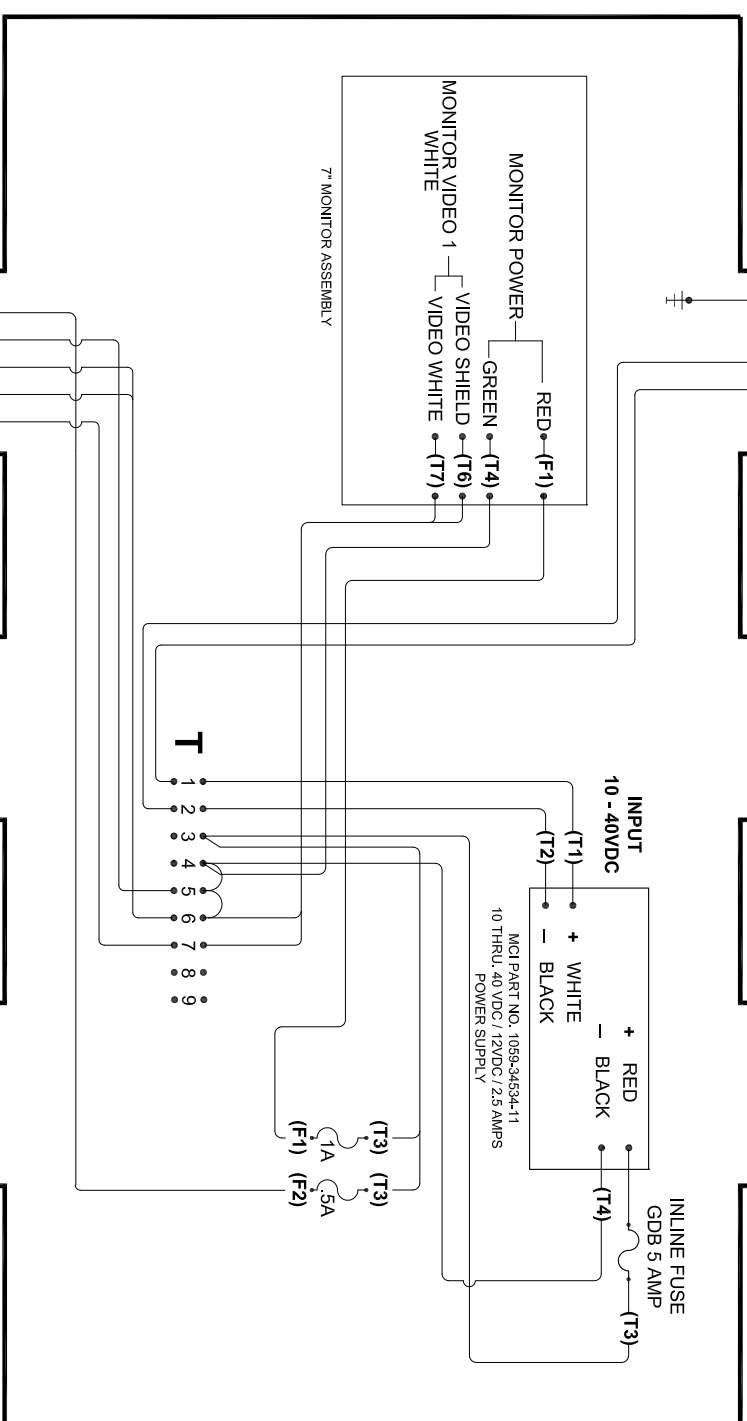
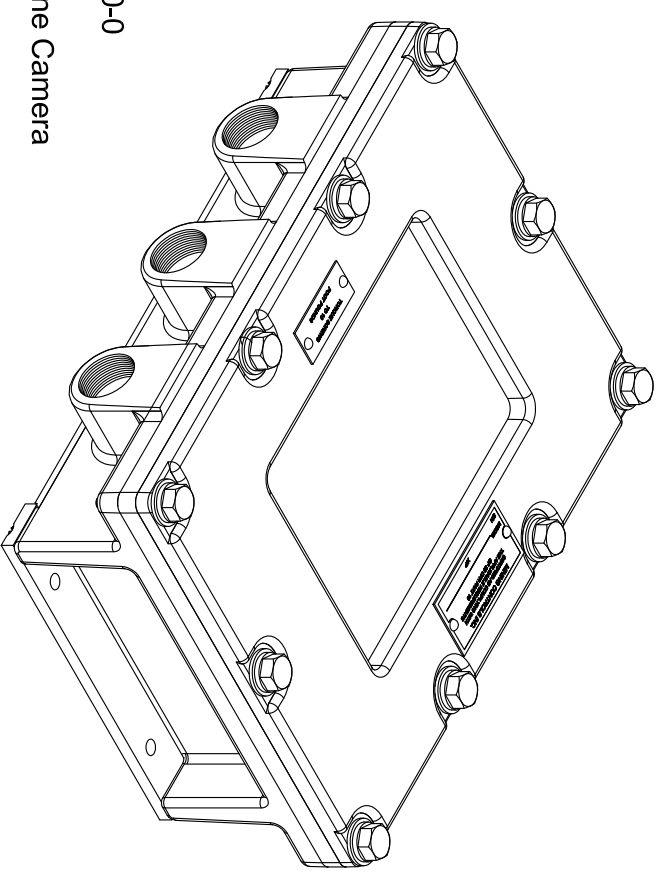


6012-51139-11
 2 PAIR-24 GA. SHIELDED VIDEO AND POWER CABLE



PACKING GLAND
 7017-20501-1G-039

MODEL 34551 CERT. 18-XPA050010-0
 P/N 7015-34551-13
 7" LCD Monitor With XIP Enclosure For One Camera



CAMERA 1

PACKING GLAND
 7017-20501-G-028

50 FT 6012-51139-11 2 PAIR 24 GA. SHIELDED VIDEO AND POWER CABLE SUPPLIED WITH SYSTEM
 50 FT 6013-51135 1/2" CONDUIT HOSE NOT SUPPLIED

4 EA. 2024-20057-1SA STEEL PLUG