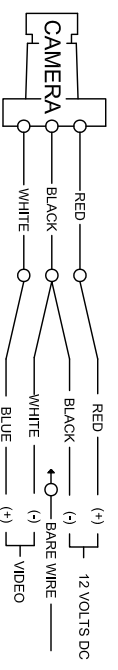
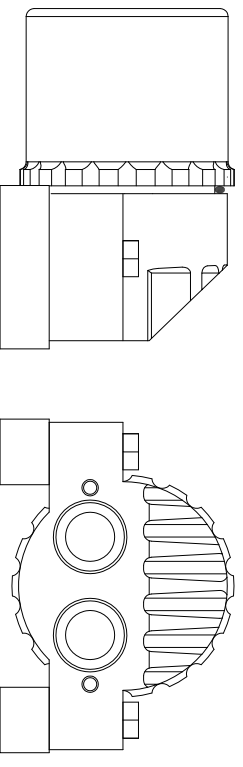


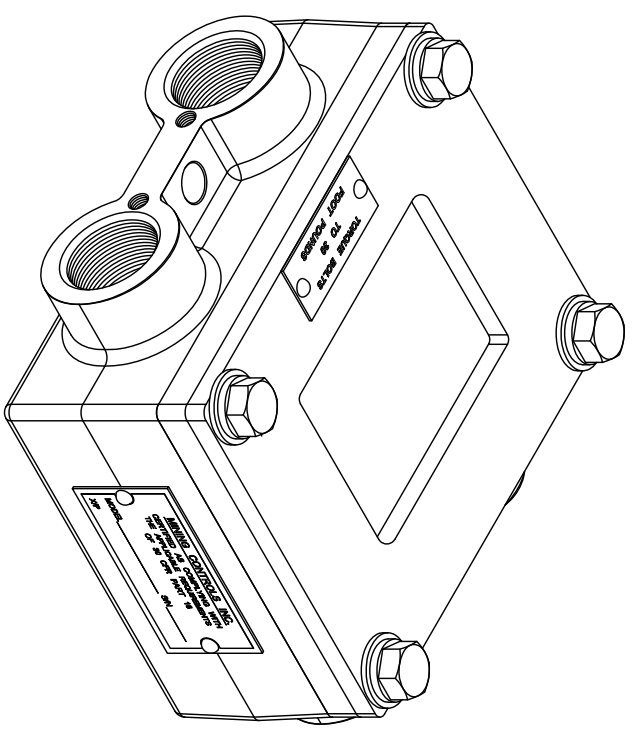
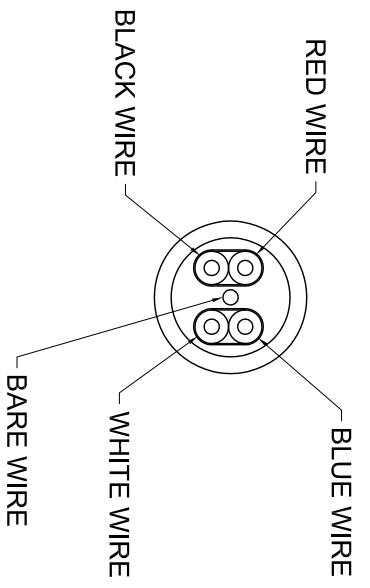
**WIRING: BACK VIEW OF CAMERA**  
 1 = VIDEO / 2 = COM / 3 = 12 VOLT DC. (+)



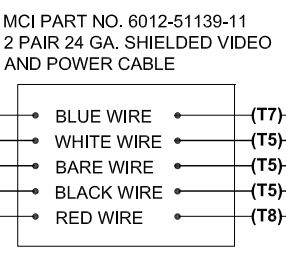
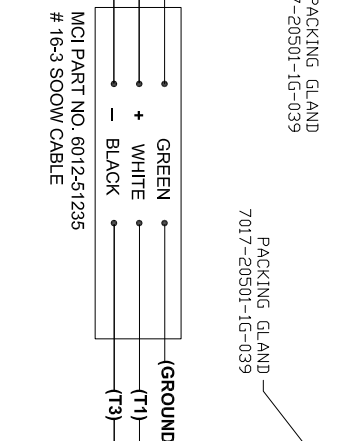
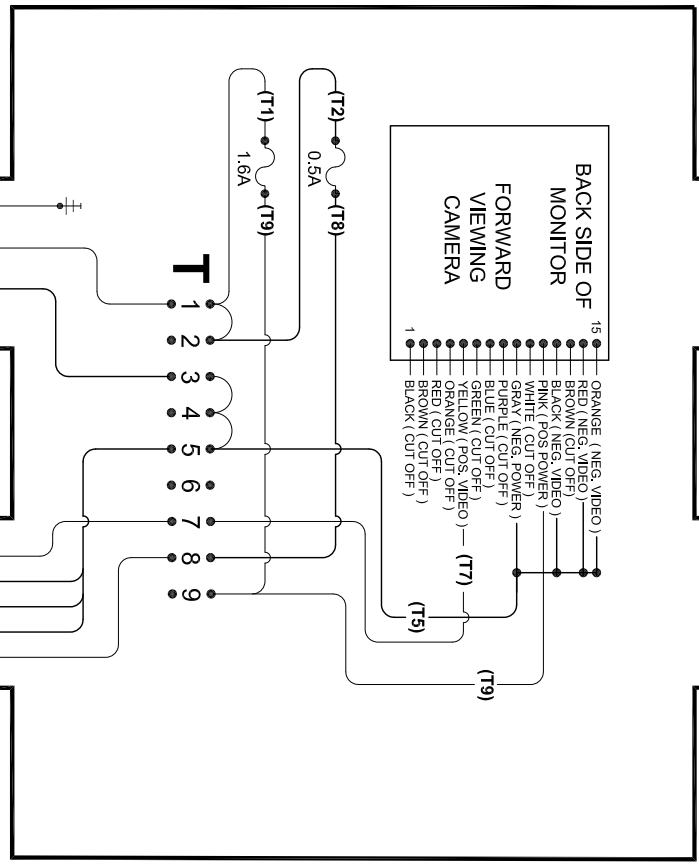
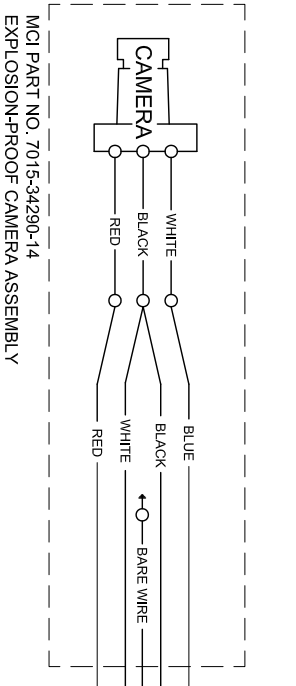
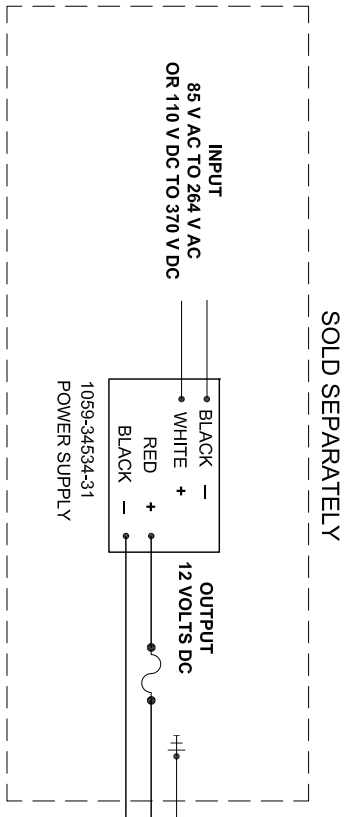
**MODEL MCI50XP CERT. XP 3938-0 & -1**  
**P/N 7015-34290-14**  
**EXPLOSION-PROOF CAMERA ASSEMBLY**  
**600 TV LINES 0.003 LUX 12VDC @ 100mA**



**6012-51139-11**  
**2 PAIR-24 GA. SHIELDED VIDEO AND POWER CABLE**



**MODEL 35400 CERT. XP-3844-1**  
**P/N 7015-35400-41**  
**4" LCD Monitor With XIP Enclosure For One Camera**



DATE DRAWN	2-21-11
DRAWN BY	RAJ
CHECKED BY	

**MCI MINING CONTROLS INCORPORATED**  
 P.O. BOX 1141 BECKLEY, W.V. 25801

**WIRING DIAGRAM**  
**4" LCD MONITOR**

PART NUMBER: **WD 7015-35245-6**

REV. **A**