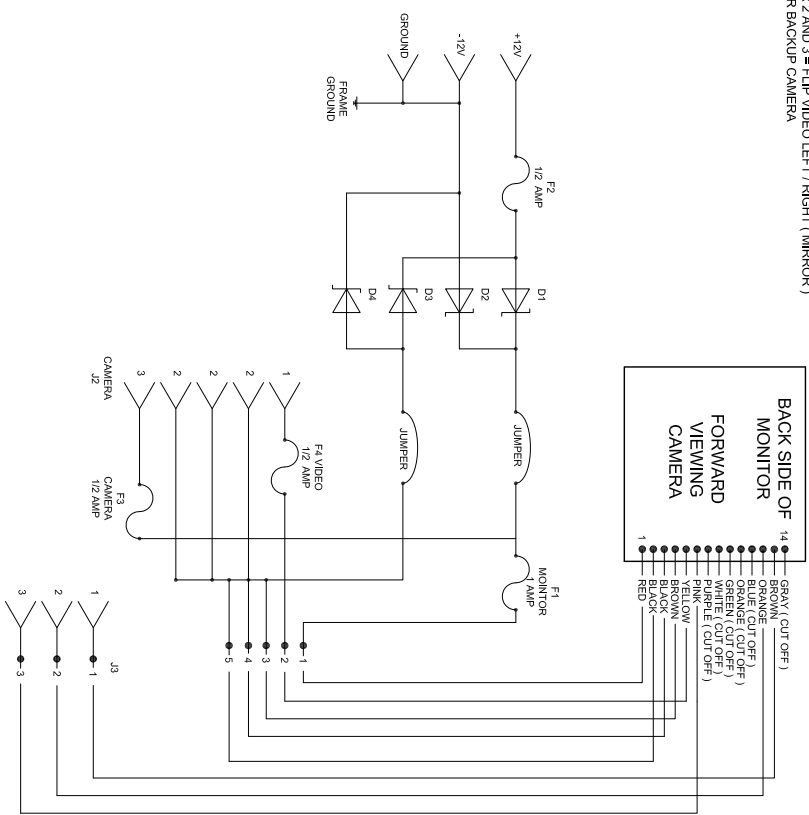
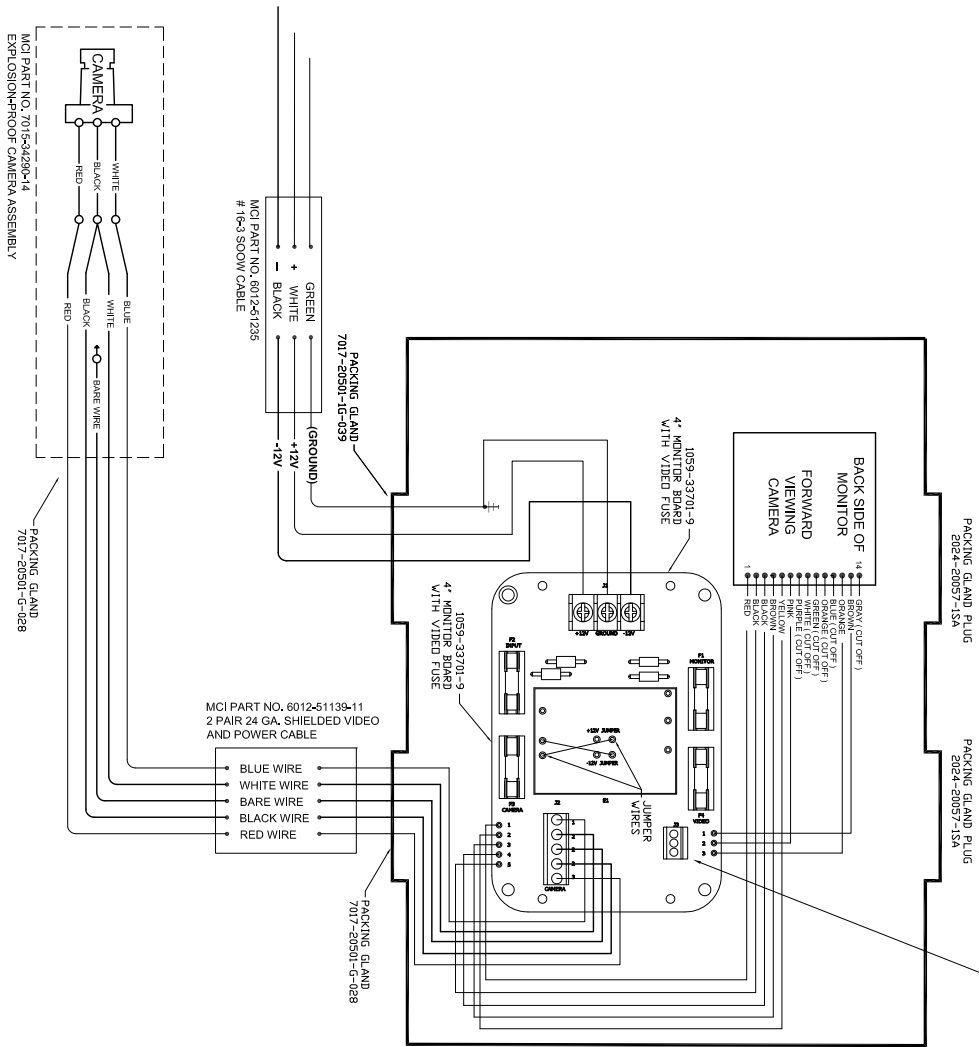


REV.	DESCRIPTION	INITIAL	DATE

NOTE: MONITOR CONTROL TERMINAL IS: NO JUMPER, NORMAL VIDEO  
 JUMPER 1 AND 2 = FLIP VIDEO UP / DOWN  
 JUMPER 2 AND 3 = FLIP VIDEO LEFT / RIGHT ( MIRROR )  
 USE FOR BACKUP CAMERA



MODEL 35400 CERT. XP-3844-1  
 P/N 7015-35400-41  
 4" LCD Monitor With XIP Enclosure  
 For One Camera  
 12V DC 0.400 AMPS.



P.O. BOX 1141 BECKLEY, W.V. 25801

TITLE  
**WIRING / SCHEMATIC**  
 MODEL 35400-41

SCALE 1=1	DATE DRAWN 9-19-14	DRAWN BY LWR	CHECKED BY	DWG. SIZE A	DWG. NO. WS-7015-35400-41	REV. B
--------------	-----------------------	-----------------	------------	----------------	------------------------------	-----------